

SPECIFICATIONS

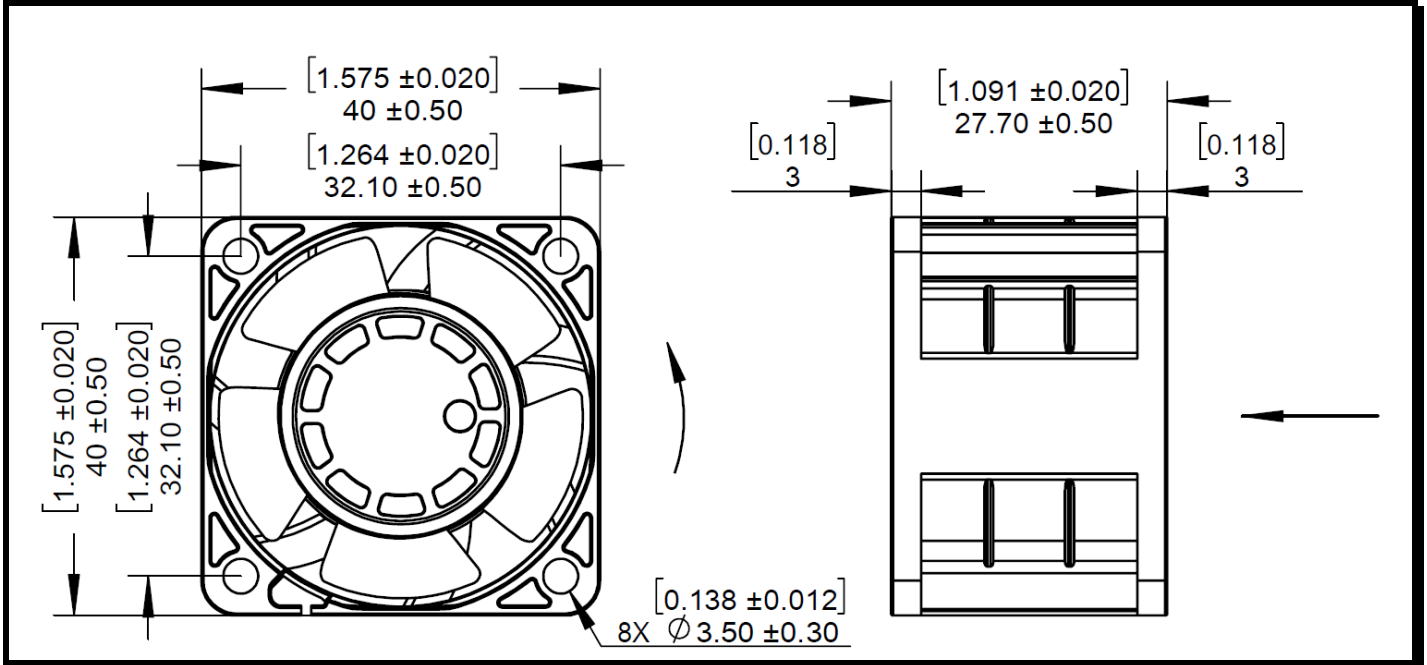
(RoHS Compliant)

Model Number: CR4028-UXD24BPL
Part Number: 17002007A

Version: 00
Mar 24, 2023



Mechanical Drawing:



Motor:

Nominal Voltage	= 24 vdc
Operating Voltage Range	= 21.6-26.4 vdc
Nominal Running Current	= 0.45 amps
Max. Locked Rotor Current	= 0.9 amps
Running Power	= 10.8 watts
Average Speed	= 19000 RPM
Bearings	= Ball
Air Flow	= 25.2 CFM
Acoustic	= 66 dBA
Weight	= 50g

Construction:

Venturi: Plastic, Black, UL 94V-0
Propeller: Plastic, Black, UL 94V-0

Life Expectancy:

This fan is designed for continuous duty life of 45,000 hours at 70°C.

Additional Features:

Brushless DC Motor
Automatic Restart Capability
Electronic Locked Rotor Protection
Polarity Protected
Operating Temperature: -10°C to 70°C
Storage Temperature: -40°C to 85°C

Termination:

250±10mm , 24AWG UL1007 Leadwires
Red = Power(+)
Black = Return(-)

Agencies:

UL, CE

PQ Curve:

