

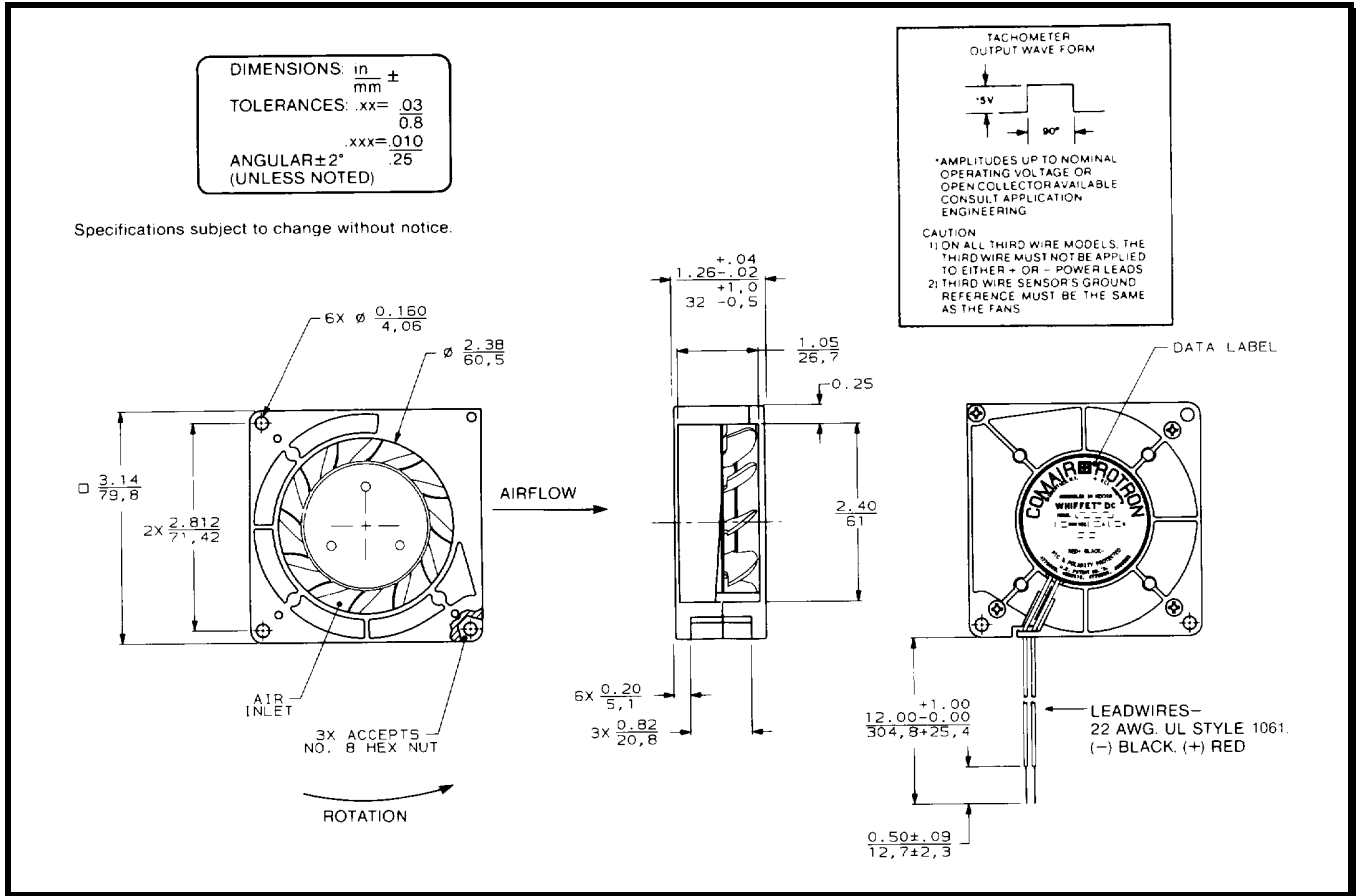
SPECIFICATIONS



Model Number: WT24K3
Part Number: 17000024A

Rev: 01
Jan 12, 2018

Mechanical Drawing:



Motor:

Nominal Voltage	= 24 vdc
Operating Voltage Range	= 16 - 32 vdc
Nominal Running Current	= 0.27 Amps
Max. Locked Rotor Current	= 1.500 Amps
Running Power	= 6.4 Watts
Average Speed	= 4500 RPM
Bearings	= Ball
Air Flow	= 16.7 CFM
Acoustic	= 53.7 dBA

Construction:

Venturi: Plastic, Black, UL 94V-0
Propeller: Polypropylene, Black, UL 94V-0

Life Expectancy:

This fan is designed for continuous duty life of 55,000 hours at 70°C.

Additional Features:

- Brushless DC Motor
- Locked Rotor Protection
- Automatic Restart Capability
- Polarity Protected
- Operating Temperature: -10°C to 70°C
- Storage Temperature: -40°C to 85°C

Termination:

- 12" leadwires, 22AWG, UL 1061
- Red Power (+)
- Black Return (-)

Agency Approvals:

UL, CUL, CE

PQ Curve:

