

# SPECIFICATIONS

RoHS Compliant

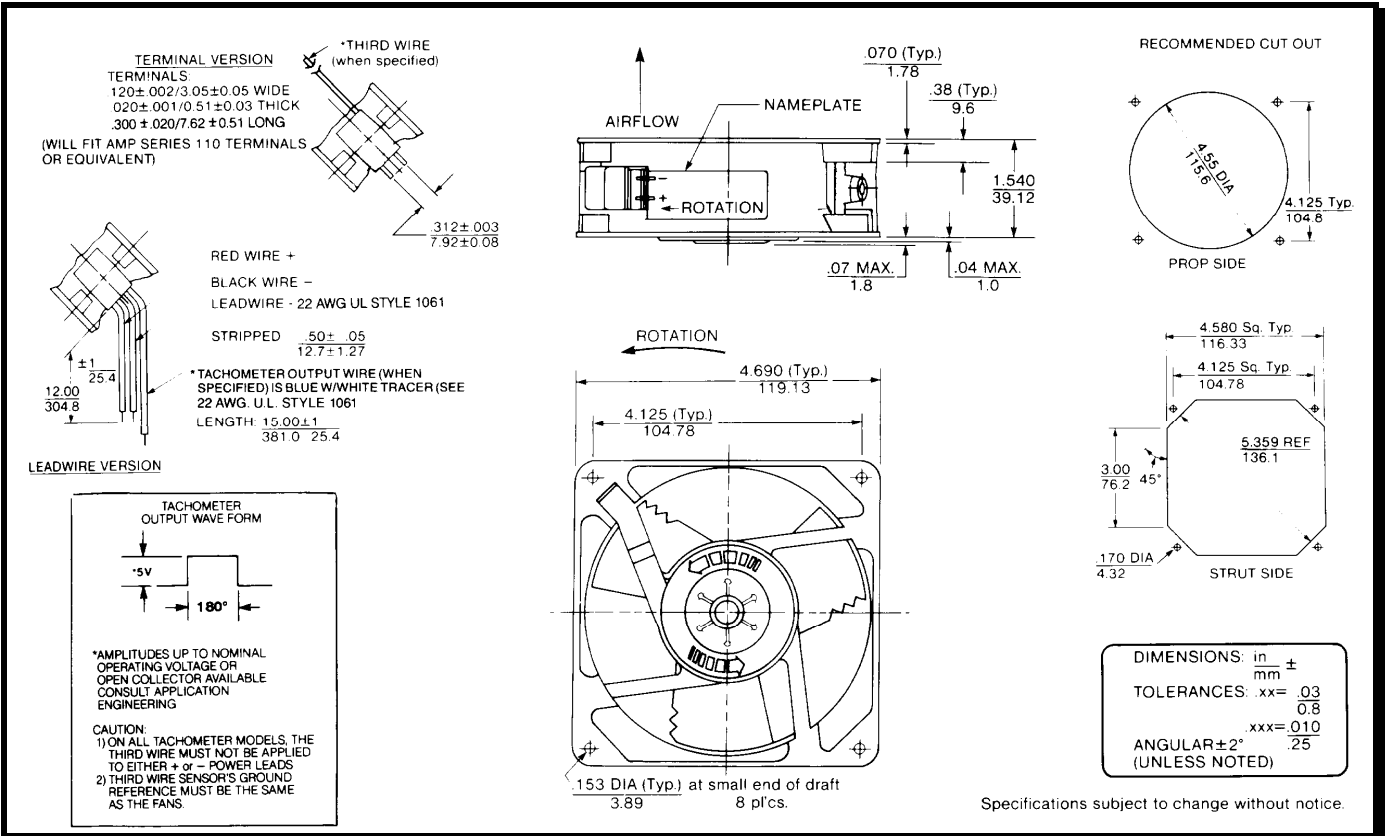


Model Number: WD12B3

Part Number: 030709

September 10, 2003

## Mechanical Drawing:



### Motor:

Nominal Voltage	= 12 vdc
Operating Voltage Range	= 6 – 14 vdc
Nominal Running Current	= 0.260 amps
Locked Rotor Current	= 0.790 amps
Running Power	= 3.1 watts
Average Speed	= 2475 RPM
Bearings	= Ball
Air Flow	= 85 CFM
Acoustic	= 41.4 dBA

### Construction:

Venturi: Die-Cast Zinc Alloy, Black  
 Propeller: Plastic, Black, UL 94V-0

### Life Expectancy:

This fan is designed for continuous duty life of 83,000 hours at 40°C.

### Additional Features:

Brushless DC Motor  
 Locked Rotor Protection  
 Polarity Protection  
 Automatic Restart Capability  
 Operating Temperature: -10°C to 70°C  
 Storage Temperature: -40°C to 85°C

### Termination:

12" Lead wires, 22 AWG, UL 1061  
 Red = Power (+)  
 Black = Ground (-)

### Agency Approvals:

UL