

# SPECIFICATIONS

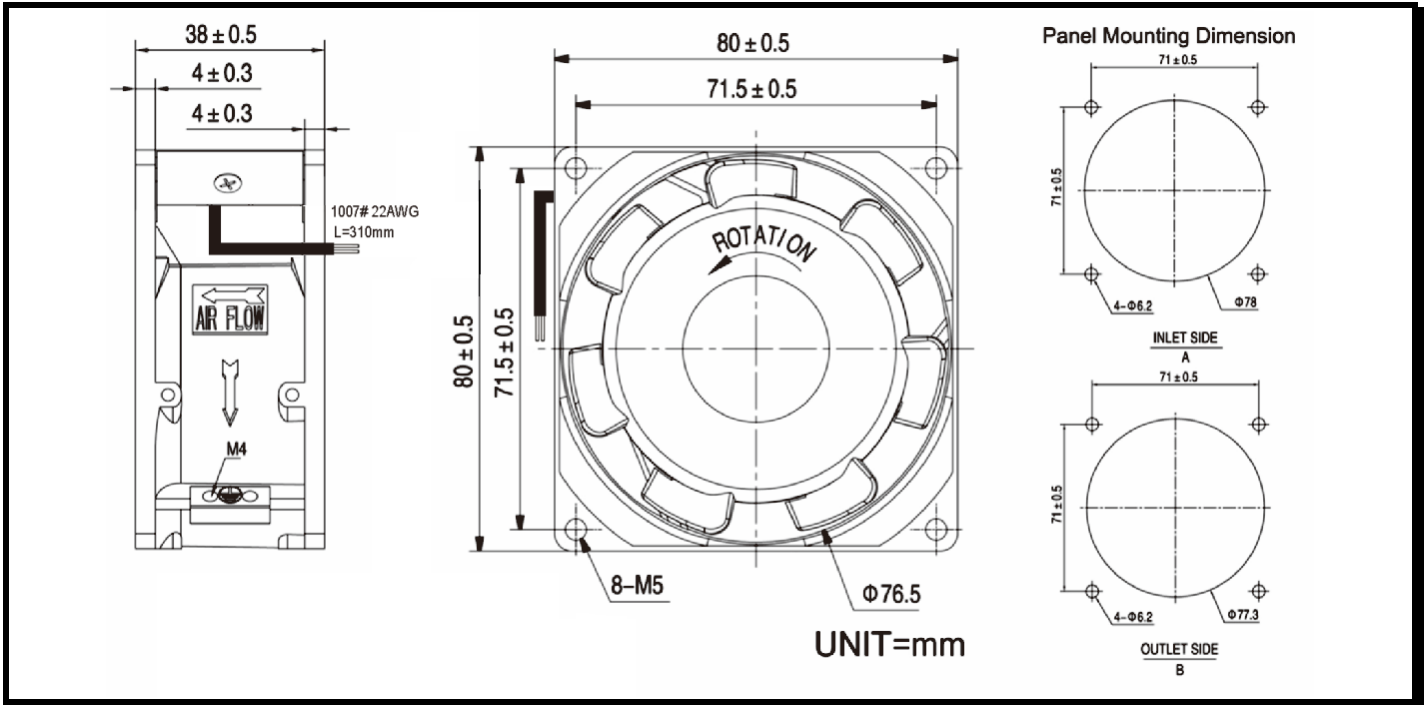
RoHS

Model Number: SU2B1  
Part Number: 19028268A

Version: 03  
Feb 10, 2017



## Mechanical Drawing:



### Motor:

Start Voltage	= 83VAC
Rated Voltage	= 110 VAC $\pm 10\%$
Operating Voltage Range	= 99~121VAC
Operating Frequency	= 50/60Hz
Rated Current	= 0.14/0.13A
Input Power	= 15/13Watt
Rated Speed	= 2700/3300RPM $\pm 10\%$
Bearings	= Ball
Airflow	= 24/31CFM (Measuring at zero static pressure)
Static Pressure	= 0.13/0.17'' H <sub>2</sub> O (Measuring at zero air flow)
Noise Level	= 30/32 dB(A)
Net Weight	= 260 gram. (Measuring at 25°C, RH 65% for Above Items)

### Construction:

Venturi: High quality magnesium alloy die-casting frame with ED coating and powder coating, Black.  
Propeller: Magnesium alloy with ED coating, Black

### Life Expectancy:

This fan is designed for continuous duty life of 60,000 hours at 20°C; 50,000 hours at 40°C; 40,000 hours at 60°C.

### Additional Features:

Insulation Resistance: 100M $\Omega$  or more at 500 V megger.  
Dielectric strength: 2 seconds at 1800 VAC/ 50-60 Hz.  
Thermal Shock: Test per MIL-STD-202F, method 107G, condition D.  
Operating Temperature: -40°C to 80°C  
Storage Temperature: -20°C to 50°C  
Humidity RH: 20% ~ 85% (Max.)  
Ingress of protection: IP44/ Magnesium alloy Propeller

### Termination:

See Mechanical Drawing.  
Lead wire connection suit with 22AWG 1007#  
Wire length=310  $\pm$  25.4mm

### Agency Approvals:

UL, CE