

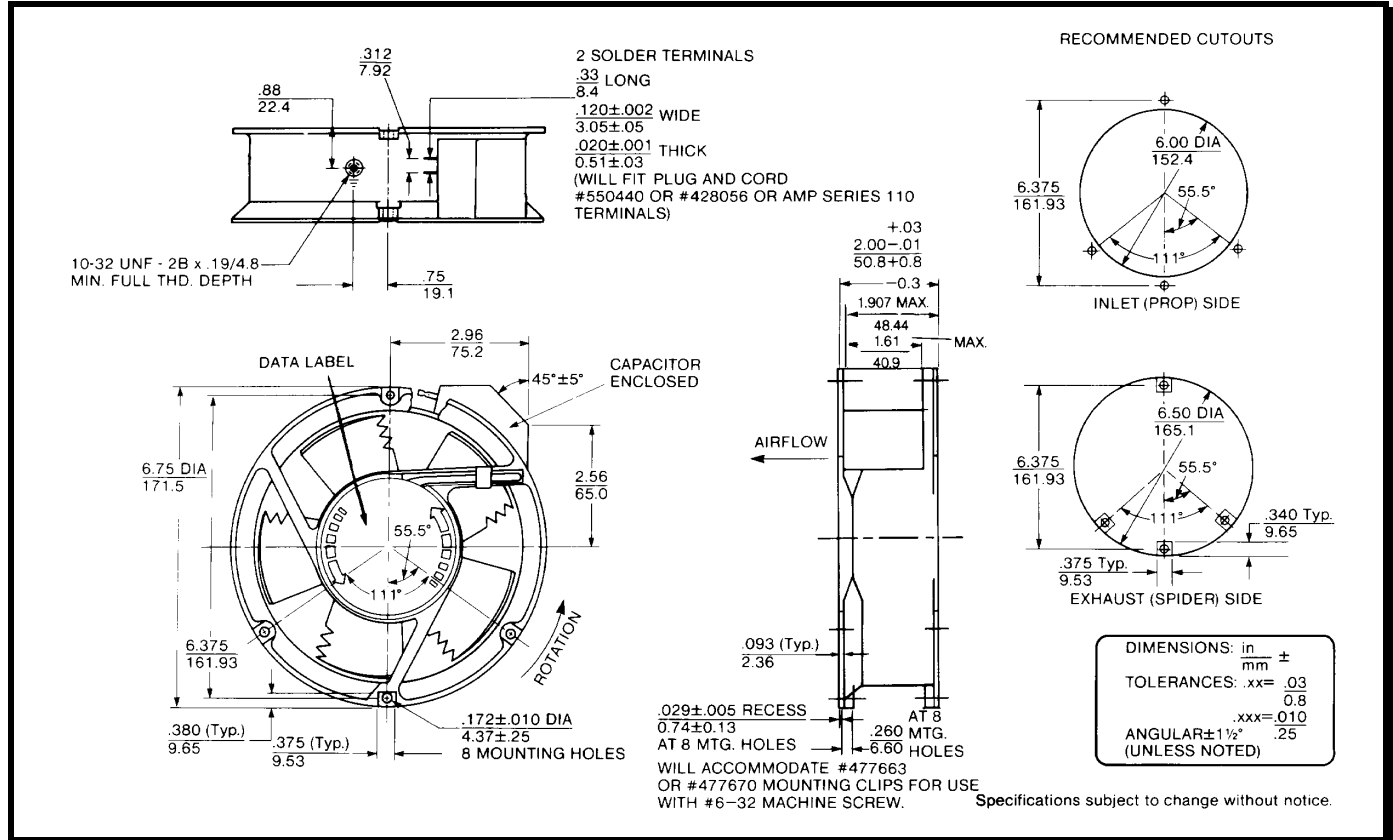
SPECIFICATIONS



Model Number: PT2D3
Part Number: 19032213A

Version: 01
May 5, 2015

Mechanical Drawing:



Motor:

Nominal Voltage	= 115 VAC
Frequency	= 50 / 60 Hz
Nominal Running Current	= 0.170 / 0.150 amps
Max. Locked Rotor Current	= 0.225 amps
Running Power	= 18.0 / 16.0 watts
Average Speed	= 1400 / 1700 RPM
Bearings	= Ball
Air Flow	= 94 / 114 CFM
Acoustic	= 34.5 / 37.5 dBA

Construction:

Venturi: Single Piece Die Cast Aluminum, Black.
 Propeller: Plastic, Black, UL 94V-0

Life Expectancy:

This fan is designed for continuous duty life of 62,000 hours at 40°C.

Additional Features:

Permanent Split Capacitor Motor
 Thermal Protection
 Automatic Restart Capability
 Operating Temperature: -10°C to 70°C
 Storage Temperature: -40°C to 85°C

Additional Features:

2x 0.120" Terminals

Agency Approvals:

UL, CUL, CE

PQ Curve:

