

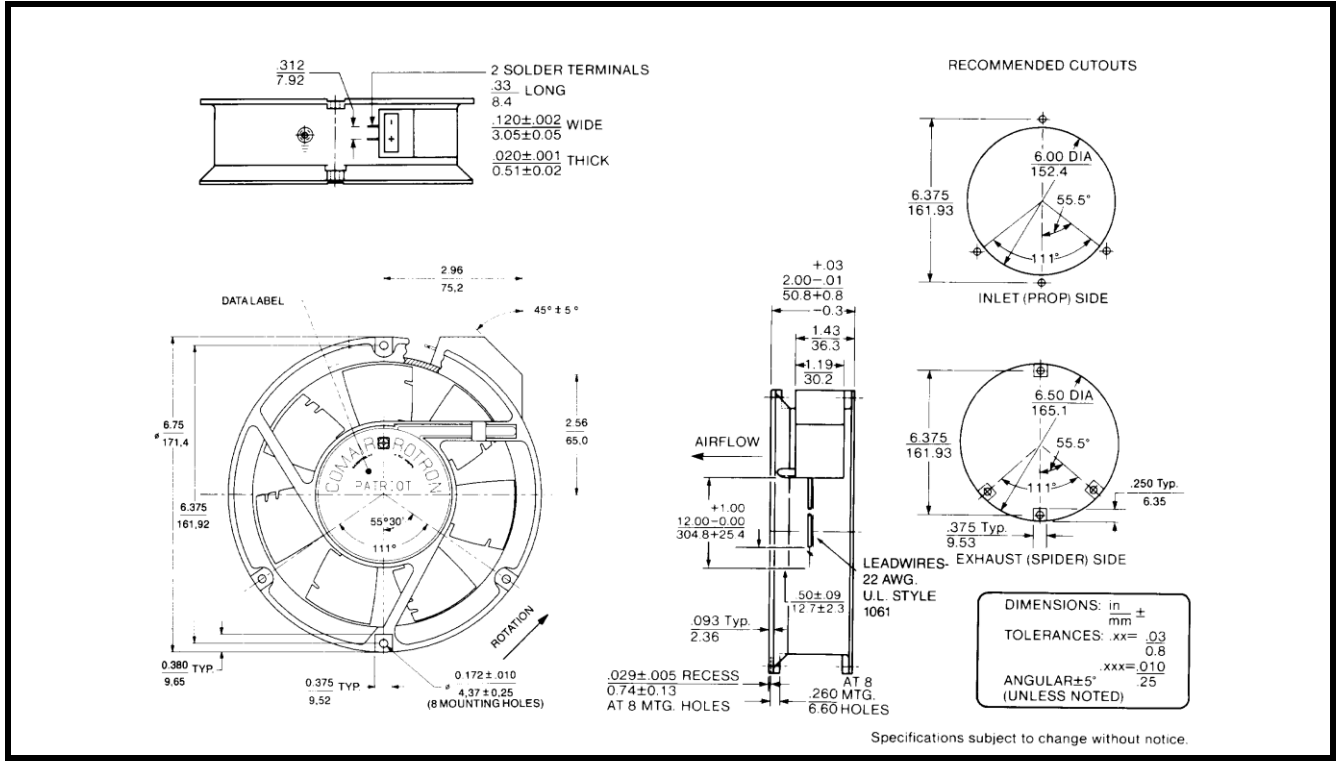
SPECIFICATIONS



Model Number: PQD48U3E
Part Number: 19040428A

Version: 03
Aug 30, 2017

Mechanical Drawing:



Motor:

Nominal Voltage = 48 VDC
 Operating Voltage Range = 28 - 72 VDC
 Nominal Running Current = 0.85 amps
 Locked Rotor Current = 1.5A
 Running Power = 40.8watts
 Average Speed = 4830 RPM
 Bearings = Ball
 Air Flow = 332 CFM
 Acoustic = 64 dBA

Construction:

Venturi: Die-Cast Aluminum, Black
 Propeller: Polycarbonate, Black, UL 94V-0

Agency Approvals:

UL, CUL, CE

Life Expectancy:

This fan is designed for continuous duty life of 58,000 hours at 70 °C.

Additional Features:

Brushless DC Motor
 Soft Start Inrush Current
 Electronic Locked Rotor Protection
 Polarity Protected
 Automatic Restart Capability
 Operating Temperature: -10°C to 70°C
 Storage Temperature: -40°C to 85°

Tachometer Specifications:

Output: Open Collector
 Ic: 20 mA. Max
 Vcc: 72 VDC Max.
 Pulses per Revolution: 2
 Isolated: No

Termination:

12" Lead wires, 22 AWG, UL 1061
 Red - Power (+)
 Black - Return (-)
 Blue/White - Tachometer (Output)

PQ Curve:

