

# SPECIFICATIONS

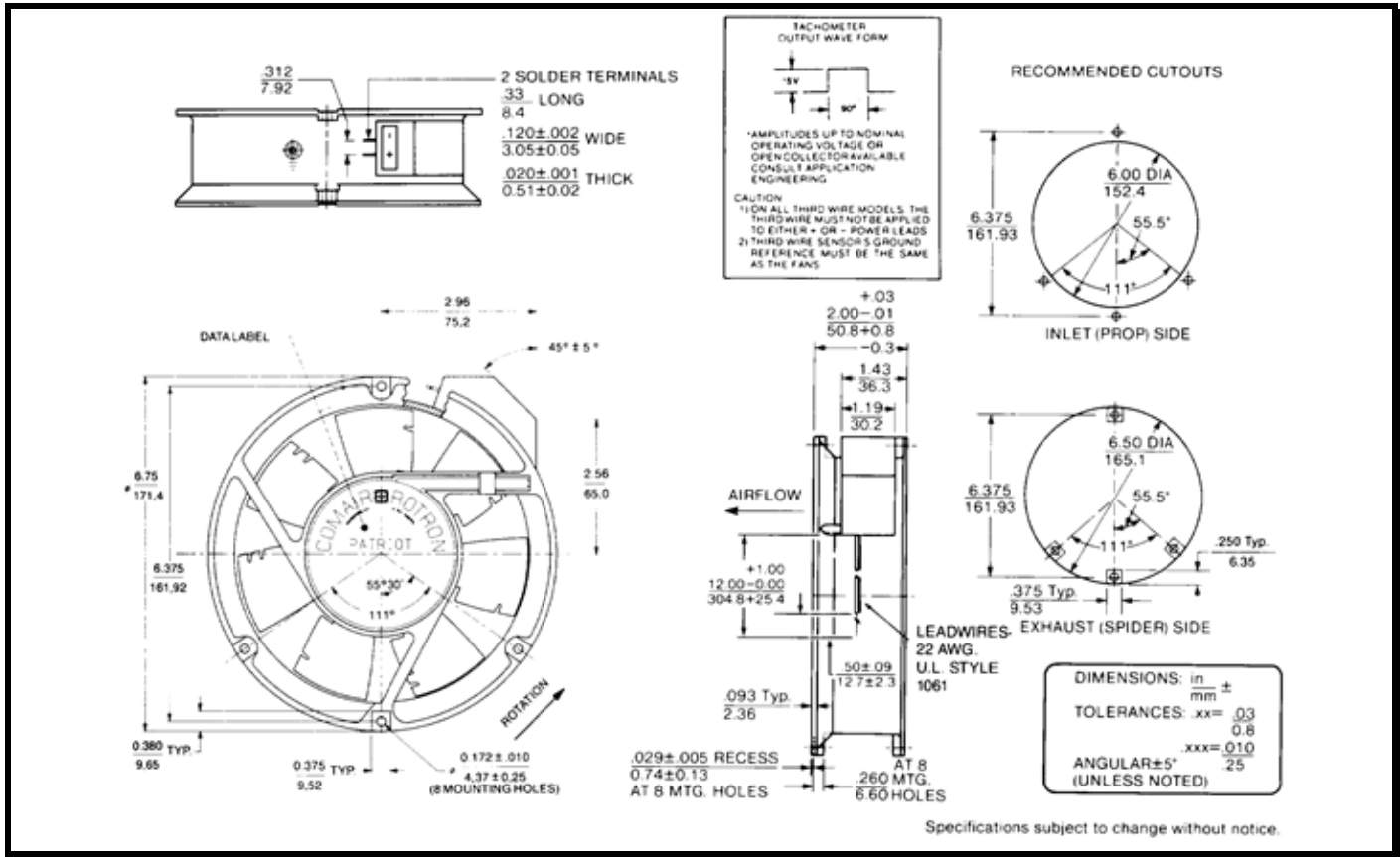
(Rohs Compliant)



**Model Number:** PQ24K4  
**Part Number:** 17000015A

**Version:** 02  
**Sep 13, 2017**

## Mechanical Drawing:



### Motor:

Nominal Voltage = 24 vdc  
 Operating Voltage Range = 12 - 28 vdc  
 Nominal Running Current = 1.80 amps  
 Locked Rotor Current = 3.00 amps  
 Running Power = 43.2 watts  
 Average Speed = 4200 RPM  
 Bearings = Ball  
 Air Flow = 285 CFM  
 Acoustic = 58.9dBA

### Construction:

Venturi: Die-cast aluminum, Black  
 Propeller: Plastic, Black, UL 94V-0

### Agency Certifications:

UL, CUL, CE

### Life Expectancy:

This fan is designed for continuous duty life of 70,000 hours at 40°C.

### Additional Features:

Brushless DC Motor  
 Locked Rotor Protection  
 Polarity Protected  
 Automatic Restart Capability  
 Operating Temperature: -10°C to 70°C  
 Storage Temperature: -40°C to 85°C

### Termination:

Two 0.110 Terminals

**PQ Curve:**

