

SPECIFICATIONS

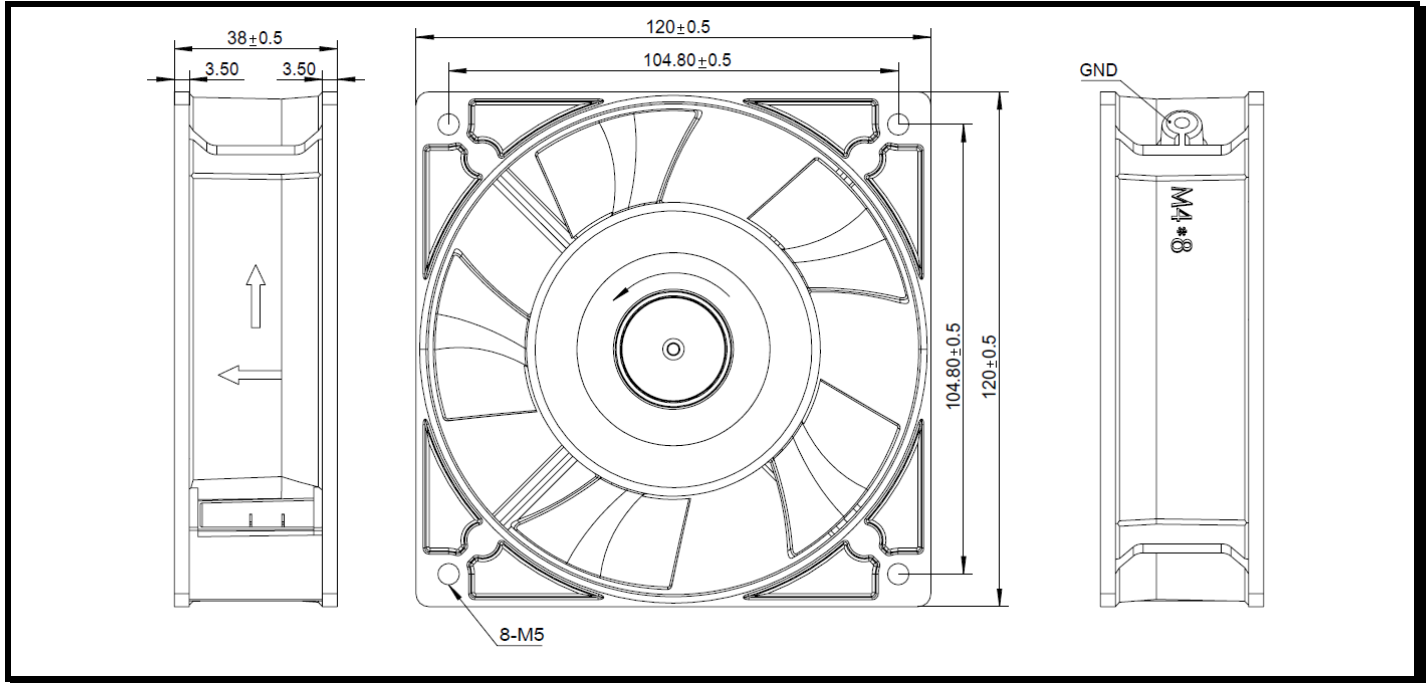
RoHS

Model Number:MX2B3
Part Number: 19028422A

Version: 04
Dec 18, 2017



Mechanical Drawing:



Motor:

Normal Voltage	= 115VAC
Operating Voltage Range	= 103~126VAC
Operating Frequency	= 50/60Hz
Rated Current	= 0.30/0.26A
Input Power	= 23/20Watt
Average Speed	= 2500/2850RPM
Bearings	= Ball
Airflow	= 90/100CFM (Measuring at zero static pressure)
Static Pressure	= 0.20/0.25'' H ₂ O (Measuring at zero air flow)
Noise Level	= 50/52 dB(A)
Net Weight	= 460 gram.

Construction:

Venturi: High quality magnesium alloy die-casting Frame with ED coating and powder coating, Black.
Propeller: Plastic, Black, UL 94V-0.

Additional Features:

Insulation Resistance: 100MΩ or more at 500 V megger.
Dielectric strength: 2 seconds at 1800 VAC/ 50-60 Hz.
Thermal Shock: Test per MIL-STD-202F, method 107G, condition D.
Operating Temperature: -10°C to 70°C
Storage Temperature: -40°C to 85°C

Termination:

0.120" Wide Terminals

Agency Approvals:

UL, CUL, CE

Life Expectancy:

This fan is designed for continuous duty life of 55,000 hours at 70 °C.

PQ Curve :

