

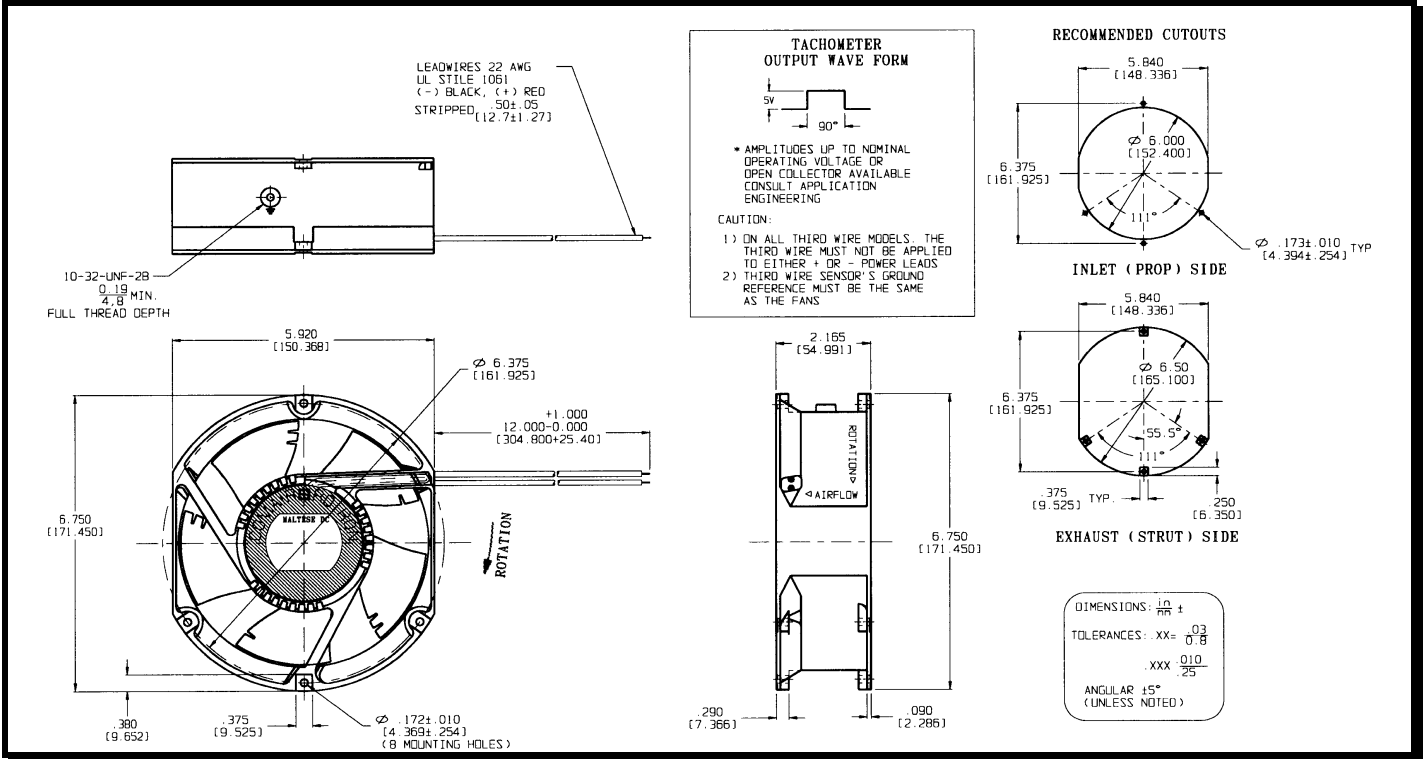
SPECIFICATIONS



Model Number: MT48B3
Part Number: 19031841A

Rev:01
Sep 22, 2017

Mechanical Drawing:



Motor:

Nominal Voltage = 48 vdc
 Operating Voltage Range = 24 - 56 vdc
 Nominal Running Current = 0.720 amps
 Max. Locked Rotor Current = 1.30 amps
 Running Power = 34.6 watts
 Average Speed = 3400 RPM
 Bearings = Ball
 Air Flow = 298 CFM
 Acoustic = 57.1 dBA

Construction:

Venturi: Single Piece Die-cast Aluminum, Black.
 Propeller: Plastic, Black, UL 94V-0

Life Expectancy:

This fan is designed for continuous duty life of 76,000 hours at 40°C.

Additional Features:

Brushless DC Motor
 Locked Rotor Protection
 Reverse Polarity Protected
 Automatic Restart Capability
 Operating Temperature: -10°C to 70°C
 Storage Temperature: -40°C to 85°C

Termination:

12" Lead wires, 22 AWG, UL 1061
 Red = Power (+)
 Black = Return (-)

Agency Approvals:

UL, CUL, CE

PQ Curve:

