

SPECIFICATIONS

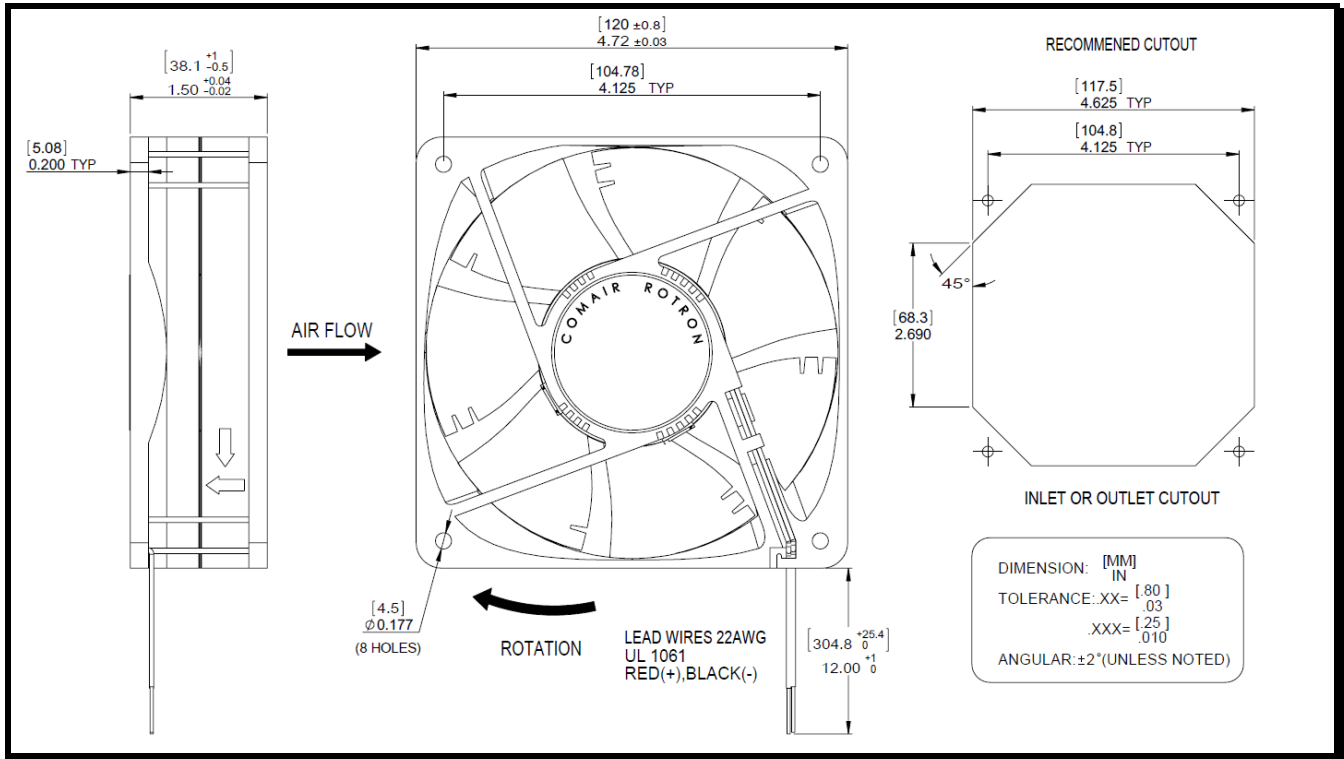
RoHS Compliant



Model Number: MS48K3
Part Number: 17000007A

Version: 01
Sep 13, 2017

Mechanical Drawing:



Motor:

Nominal Voltage	= 48 vdc
Operating Voltage Range	= 24 - 56vdc
Nominal Running Current	= 0.22 amps
Locked Rotor Current	= 1.20 amps
Running Power	= 10.6 watts
Average Speed	= 3400 RPM
Bearings	= Ball
Air Flow	= 120 CFM
Acoustic	= 51.8 dBA

Construction:

Venturi: Plastic, Black, UL 94V-0
Propeller: Plastic, Black, UL 94V-0

Life Expectancy:

This fan is designed for continuous duty life of 85,000 hours at 40°C.

Additional Information:

Brushless DC Motor
Reverse Polarity Protected
Electronic Locked Rotor Protection
Automatic Restart Capability
Operating Temperature: -10°C to 70°C
Storage Temperature: -40°C to 85°C
Enviroshield Type 2

Termination:

12" Lead wires, 22 AWG, UL 1061
Red = Power (+)
Black = Return (-)

Agency Approvals:

UL, CUL, CE

PQ Curve:

