

# SPECIFICATIONS

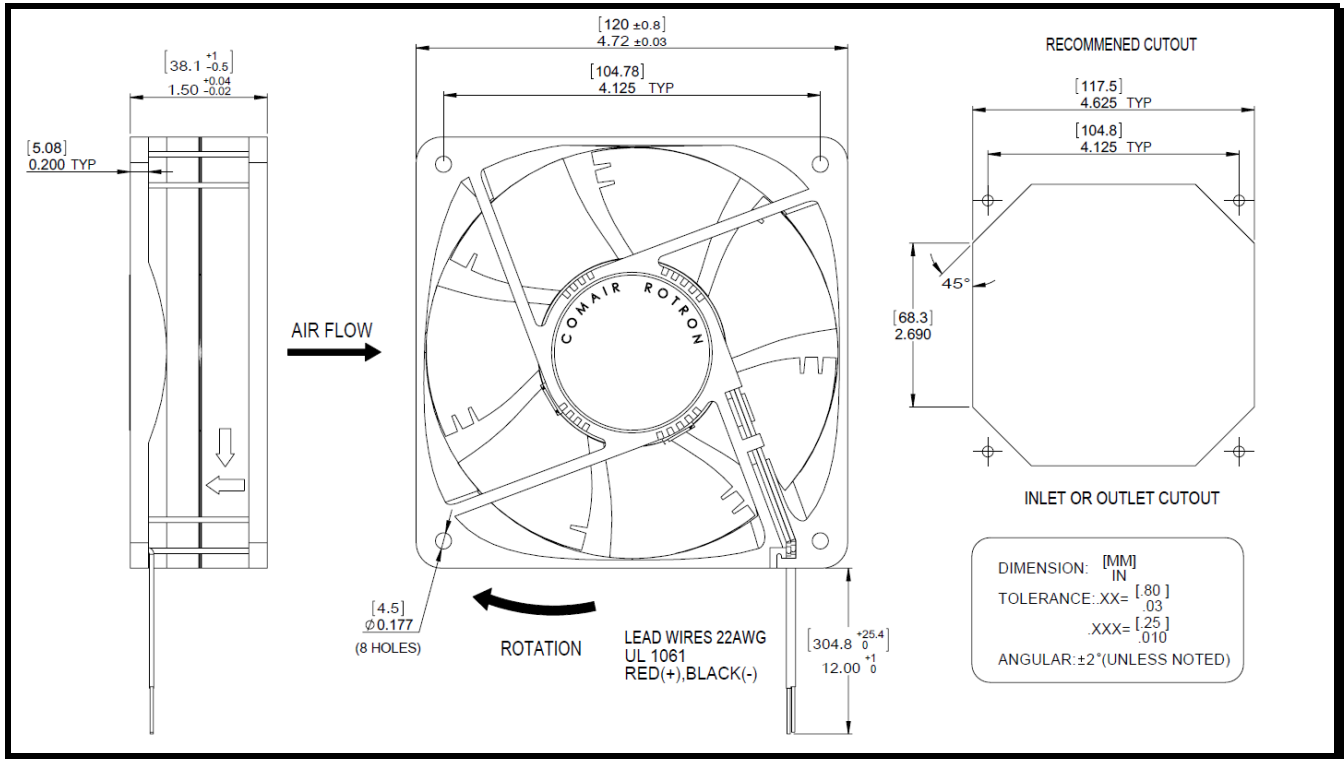
RoHS Compliant



**Model Number:** MS12K3  
**Part Number:** 19039164A

**Version:** 01  
**Sep 13, 2017**

## Mechanical Drawing:



### Motor:

Nominal Voltage	= 12 vdc
Operating Voltage Range	= 6 - 14 vdc
Nominal Running Current	= 0.92 amps
Locked Rotor Current	= 2.20 amps
Running Power	= 11.0 watts
Average Speed	= 3400 RPM
Bearings	= Ball
Air Flow	= 120 CFM
Acoustic	= 51.8 dBA

### Construction:

Venturi: Plastic, Black, UL 94V-0  
 Propeller: Plastic, Black, UL 94V-0

### Life Expectancy:

This fan is designed for continuous duty life of 85,000 hours at 40°C.

### Additional Information:

Brushless DC Motor  
 Reverse Polarity Protected  
 Electronic Locked Rotor Protection  
 Automatic Restart Capability  
 Operating Temperature: -10°C to 70°C  
 Storage Temperature: -40°C to 85°C

### Termination:

12" Lead wires, 22 AWG, UL 1061  
 Red = Power (+)  
 Black = Return (-)

### Agency Approvals:

UL, CUL, CE

**PQ Curve:**

