

SPECIFICATIONS

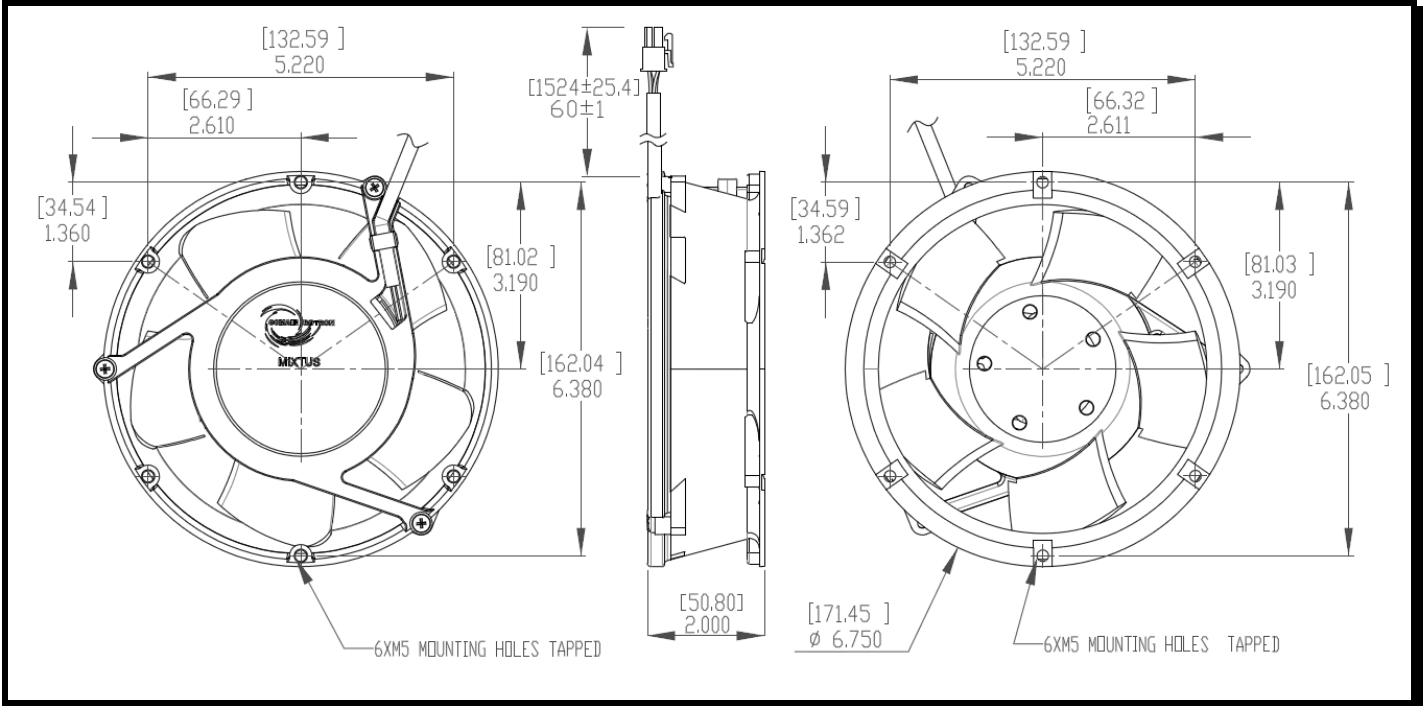
(RoHS Compliant)



Model Number: MFXE24Z6D3-E2
Part Number: 19044017A

Rev: 01
Sep 11, 2017

Mechanical Drawing:



Motor:

Nominal Voltage = 24 vdc
Operating Voltage Range = 16 - 32vdc
Nominal Running Current = 3.1 amps
Max. Locked Rotor Current = 3.9 amps
Running Power = 74.4 watts
Average Speed = 5400 rpm
Bearings = Ball
Air Flow = 394 CFM
Acoustic = 72 dBA

Construction:

Venturi: Die Cast Aluminum Alloy, Black.
Propeller: Plastic, Black, UL 94V-0.

Agency Approvals:

UL, CE

Life Expectancy:

This fan is designed for continuous duty life of 75,000 hours at 40°C.

Additional Features:

Brushless DC Motor
Locked Rotor Protection
Reverse Polarity Protected
Automatic Restart Capability
Operating Temperature: -20°C to 70°C
Storage Temperature: -40°C to 85°C

Alarm Output (FPS):

Open Collector (NPN Transistor)
High on Pass, Low on Fail
Vcc: 32Vdc Max
Sink Current (Ic): 20mA Max
Isolated: No
Latching: No
Delay: 10±4s

Termination:

60" length Harness Assembly,
Connector – Molex 39-01-2065
Contacts – Molex 39-00-0077

Pin 1: Black – Return(-) 20AWG, UL 1007
Pin 2: Blue – FPS 20AWG, UL 1007
Pin 3: Red – Power(+) 20AWG, UL 1007
Pin 4: Not used
Pin 5: White – Thermistor 22AWG, UL 1007
Pin 6: Yellow – Thermistor 22AWG, UL 1007



Comair Rotron Specification Sheet

Specification Date: Mar 11, 2013

24V Mixed Flow P-Q Curve

