

SPECIFICATIONS

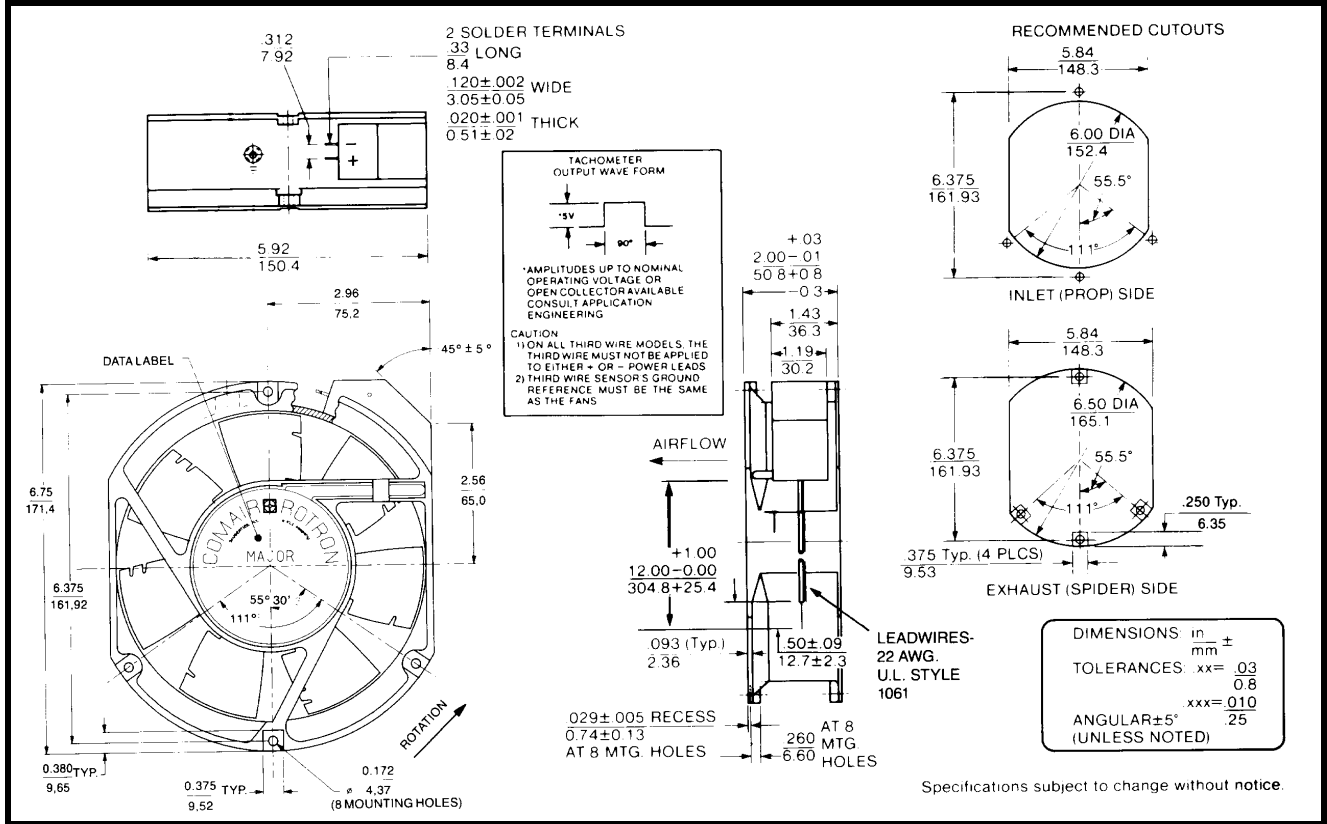
RoHS Compliant



Model Number: JQD48U3E2
Part Number: 19040422A

Rev:01
Sep 21, 2017

Mechanical Drawing:



Motor:

Nominal Voltage	= 48 vdc
Operating Voltage Range	= 36 - 72 vdc
Nominal Running Current	= 0.85mps
Locked Rotor Current	= 2.0 amps
Running Power	= 40.8 watts
Average Speed	= 4830 RPM
Bearings	= Ball
Air Flow	= 332 CFM
Acoustic	= 64.0 dBA

Construction:

Venturi: Die-cast aluminum, painted black
 Propeller: Plastic, painted black

Life Expectancy:

This fan is designed for continuous duty life of 75,000 hours at 40°C.

Agency Approvals (Pending):

UL, CUL, CE

Additional Features:

Brushless DC Motor
 Soft Start Inrush Current
 Electronic Locked Rotor Protection
 Polarity Protected
 Automatic Restart Capability
 Operating Temperature: -10°C to 75°C
 Storage Temperature: -40°C to 85°C

Tachometer Specifications:

Output: Open Collector
 Ic: 60 mA. Max
 Vce: 80 vdc Max.
 Pulses per Revolution: 2
 Isolated: No

Termination:

24" Lead wires, 22 AWG, UL 1061
 Red - Power (+)
 Black - Return (-)
 Blue/White - Tachometer (Output)

PQ Curve:

