

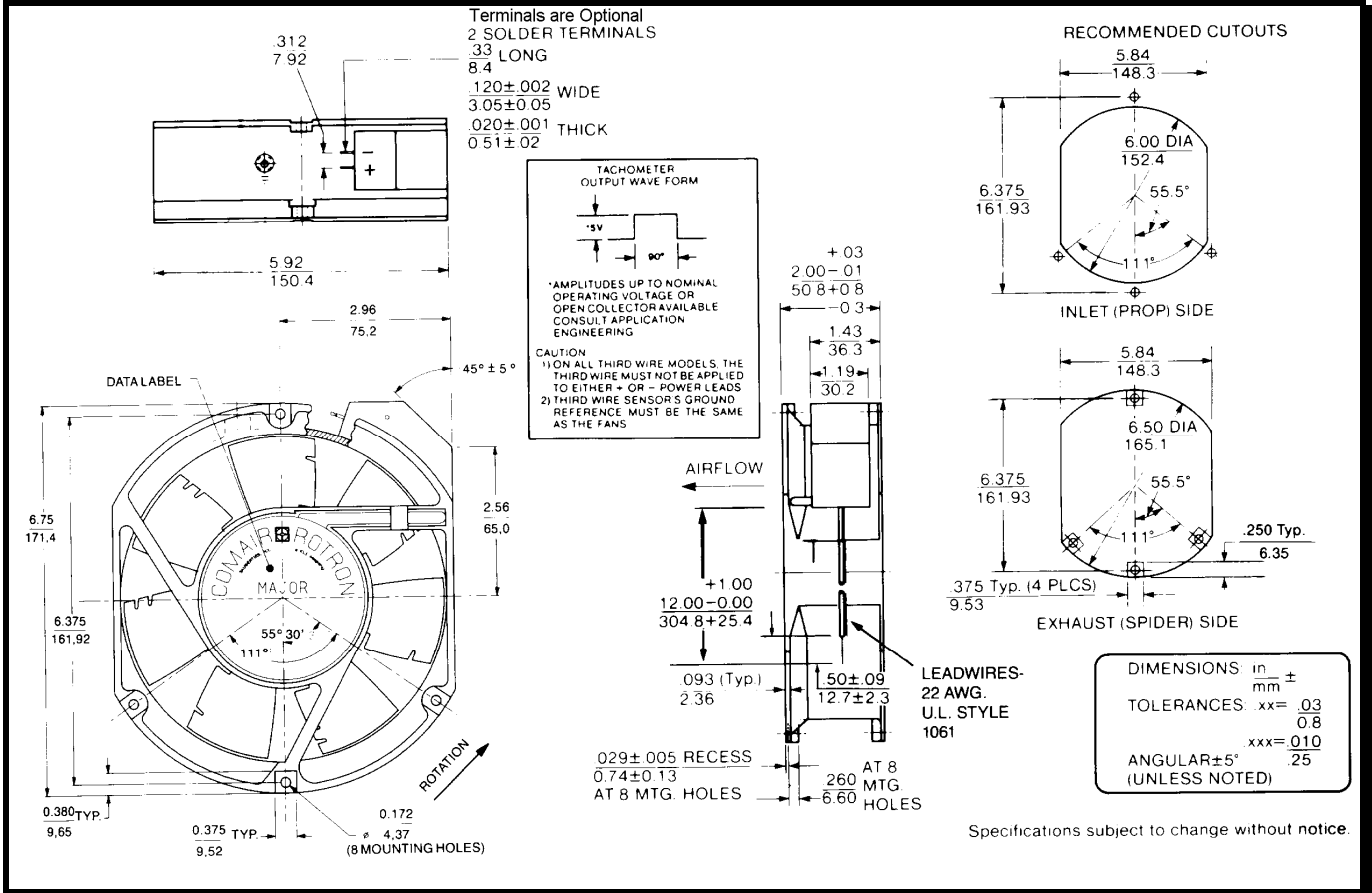
SPECIFICATIONS

(RoHS Compliant)



Model Number: JQ48B7
Part Number: 031328
SPEC Number: 26017037A Rev:00 April 27, 2012

Mechanical Drawing:



Motor:

Nominal Voltage	= 48 vdc
Operating Voltage Range	= 24 - 56 vdc
Nominal Running Current	= 0.42 amps
Locked Rotor Current	= 1.00 amps
Running Power	= 20.1 watts
Average Speed	= 3500 rpm
Bearings	= Ball
Air Flow	= 235 CFM
Acoustic	= 54.3 dBA

Construction:

Venturi: Die-Cast Aluminum, Black
 Propeller: Plastic, Black, UL 94V-0

Life Expectancy:

This fan is designed for continuous duty life of 75,000 hours at 40°C.

Agency Approvals:

UL, cUL, CE

Additional Features:

Brushless DC Motor
 Polarity Protected
 Locked Rotor Protection
 Automatic Restart Capability
 Programmable Speed Control
 Operating Temperature: -10°C to 70°C
 Storage Temperature: -40°C to 85°C

Tachometer:

Output:	5 VDC TTL Compatible
I _c :	5 mA Typical
Pulses Per Rev:	2
Isolated:	No

Termination:

12" Lead wires, AWG 22, UL 1061

Red	= Power (+)
Black	= Return (-)
Blue/White	= Tachometer (Output)