

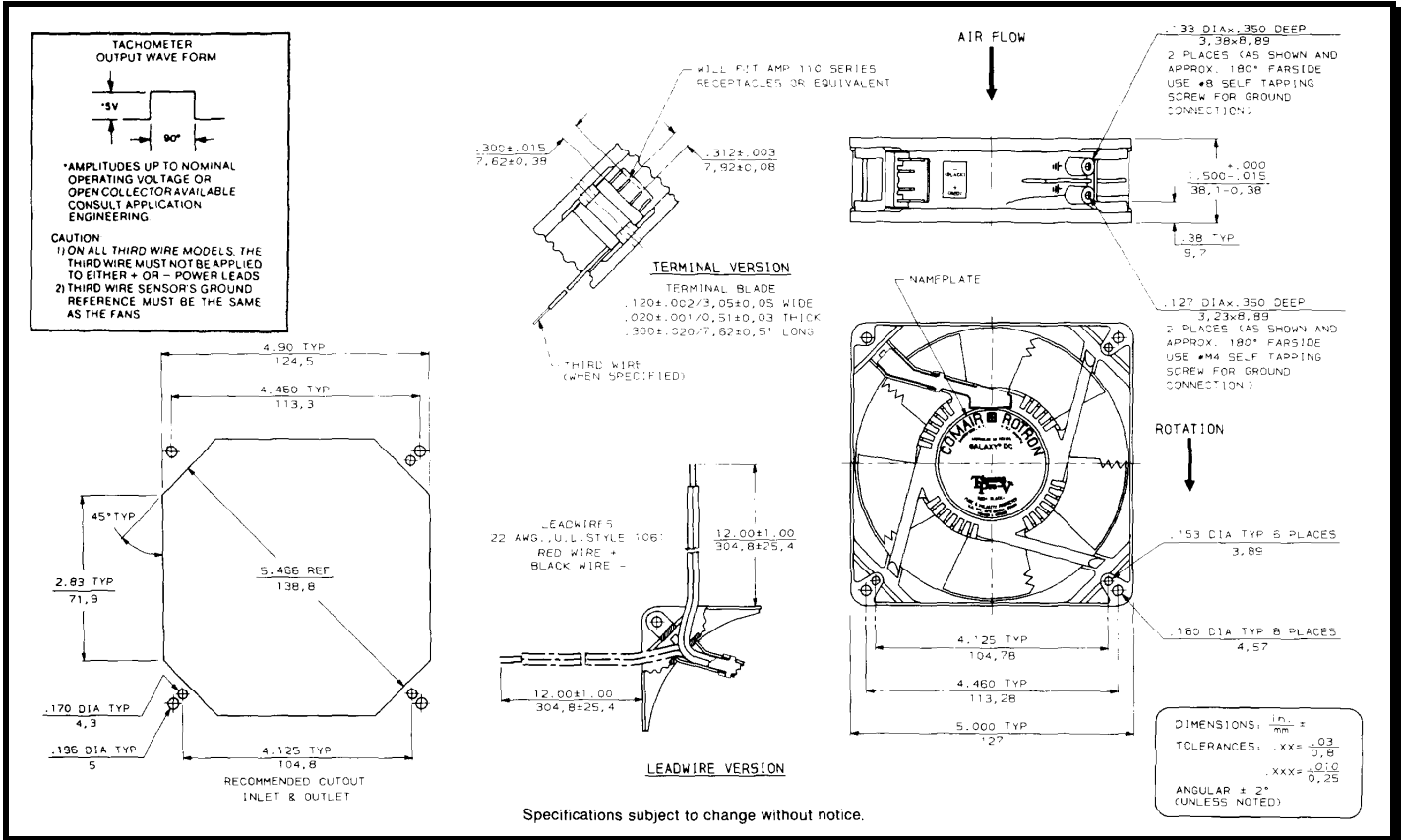
SPECIFICATIONS



Model Number: GL48B3
Part Number: 17000009A

June 20, 2015

Mechanical Drawing:



Motor:

| | |
|-------------------------|---------------|
| Nominal Voltage | = 48 vdc |
| Operating Voltage Range | = 24 - 56 vdc |
| Nominal Running Current | = 0.31 amps |
| Locked Rotor Current | = 0.93 amps |
| Running Power | = 14.9 watts |
| Average Speed | = 3300 rpm |
| Bearings | = Ball |
| Air Flow | = 150 CFM |
| Acoustic | = 53.6 dBA |

Construction:

Venturi: Die Cast Aluminum, Black
 Propeller: Plastic, Black, UL 94V-0

Agency Certifications:

UL, CUL, CE

Life Expectancy:

This fan is designed for continuous duty life of 80,000 hours at 50°C.

Additional Features:

Brushless DC Motor
 Locked Rotor Protection
 Reverse Polarity Protected
 Operating Temperature: -10°C to 70°C
 Storage Temperature: -40°C to 85°C

Termination:

12" Lead wires, 22 AWG, UL 1061
 Red = Power (+)
 Black = Ground (-)

PQ Curve:

