

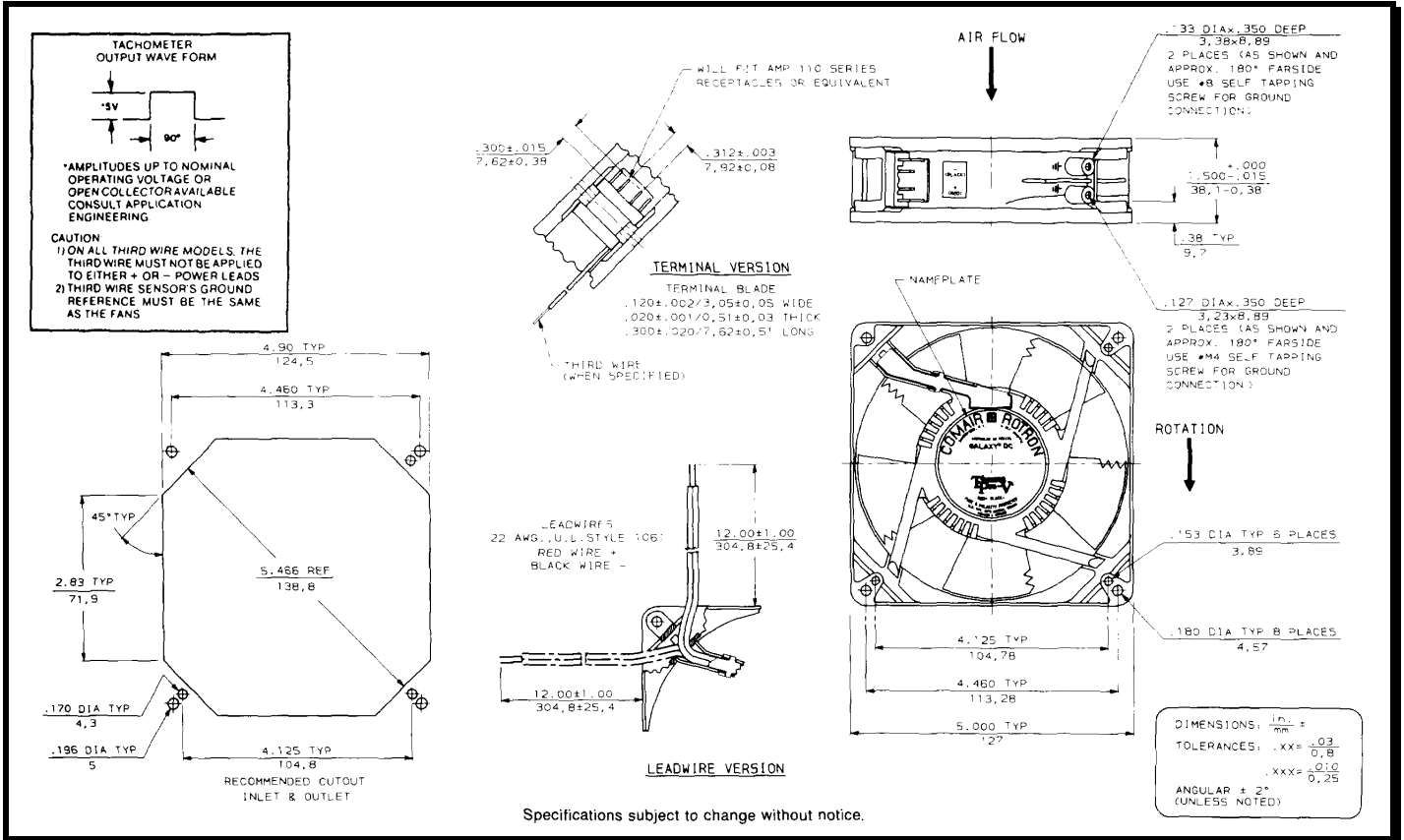
# SPECIFICATIONS



**Model Number:** GL12Z3  
**Part Number:** 17000300A

June 22, 2016

## Mechanical Drawing:



### Motor:

Nominal Voltage	= 12 vdc
Operating Voltage Range	= 6 - 14 vdc
Nominal Running Current	= 2.63 amps
Max. Locked Rotor Current	= 5.50 amps
Running Power	= 31.6 watts
RPM	= 4100RPM
Bearings	= Ball
Airflow	= 192 CFM
Noise	= 59.4 dBA

### Construction:

Venturi: Die Cast Aluminum, Black  
 Propeller: Plastic, Black, UL 94V-0

### Life Expectancy:

This fan is designed for continuous duty life of 82,500 hours at 50°C.

### Additional Features:

Brushless DC Motor  
 Locked Rotor Protection  
 Polarity Protected  
 Automatic Restart Capability  
 Operating Temperature: -10°C to 70°C  
 Storage Temperature: -40°C to 85°C

### Termination:

12" Lead wires, AWG 22, UL 1061  
 Red = Power (+)  
 Black = Return (-)

### Agency Approvals:

UL, CUL, CE

**PQ Curve:**

