

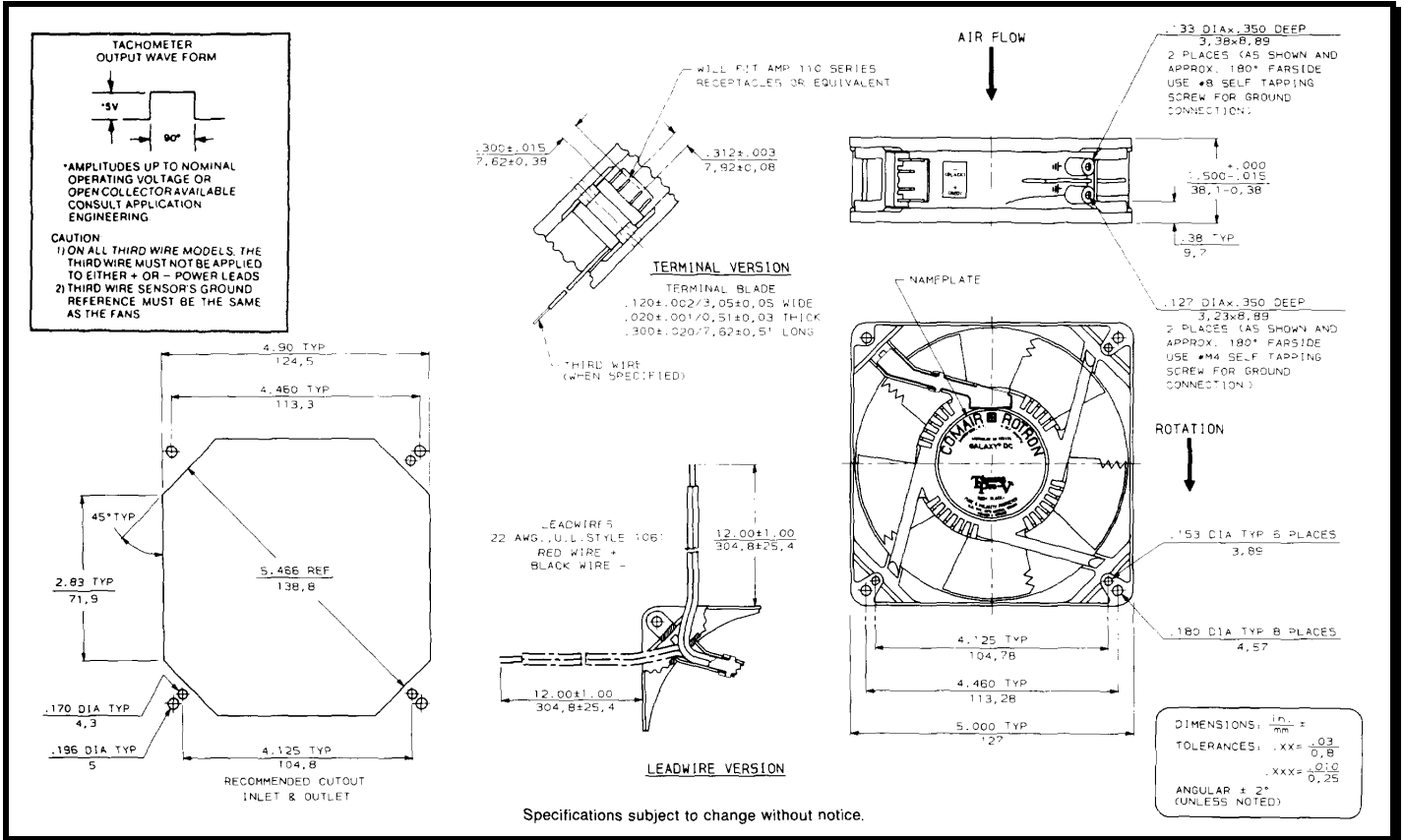
SPECIFICATIONS



Model Number: GL12K3
Part Number: 19039193A

Rev:01
Sep 22, 2017

Mechanical Drawing:



Motor:

Nominal Voltage	= 12 vdc
Operating Voltage Range	= 6 - 14 vdc
Nominal Running Current	= 1.99 amps
Max. Locked Rotor Current	= 3.500 amps
Running Power	= 23.9 watts
RPM	= 3900
Bearings	= Ball
Airflow	= 175 CFM
Noise	= 57.9 dBA

Construction:

Venturi: Die Cast Aluminum, Black
 Propeller: Plastic, Black, UL 94V-0

Life Expectancy:

This fan is designed for continuous duty life of 82,500 hours at 50°C.

Additional Features:

Brushless DC Motor
 Locked Rotor Protection
 Polarity Protected
 Automatic Restart Capability
 Operating Temperature: -10°C to 70°C
 Storage Temperature: -40°C to 85°C

Termination:

12" Lead wires, AWG 22, UL 1061

Red = Power (+)
 Black = Return (-)

Agency Approvals:

UL, CUL, CE

PQ Curve:

