



## Comair Rotron Specification Sheet

Specification Date: Nov28, 2017

Version: 01

COMAIR ROTRON PART NUMBER: 19041012A  
COMAIR ROTRON MODEL NUMBER: DD892824Z1E

---

### A.) MOTOR:

RATED VOLTAGE:	24 Vdc
OPERATING VOLTAGE RANGE:	16 Vdc – 32 Vdc
LOW-START VOLTAGE:	16 Vdc
MAX. RUNNING CURRENT:	5.2Amps
LOCKED ROTOR CURRENT:	7.5 Amps
RATED POWER:	124.8 Watts
NOMINAL SPEED:	3500 RPM $\pm$ 200 (At Free Delivery)
START UP TIME:	8 Seconds Maximum
MOTOR TYPE:	Brushless DC
MOTOR PROTECTION:	By Integrated Circuit, Fuse
LOCKED ROTORT PROTECTION:	Electronic
POLARITY PROTECTION:	Yes
AUTOMATIC RESTART CAPABILITY:	By Integrated Circuit
ROTATION:	Clockwise when viewed from Inlet

### B.) MECHANICAL

DIMENSIONS:	227mm Dia. x 71mm (8.94" Dia. x 2.80") <i>Figure 1</i>
WEIGHT:	1.60 Kg (3.53 Lbs.)
BEARING TYPE:	Ball Bearing, Permanently Lubricated, Shielded
MOTOR BASE:	Die Cast Aluminum
PROPELLER:	Aluminum, Painted



# Comair Rotron Specification Sheet

Specification Date: Nov28, 2017

Version: 01

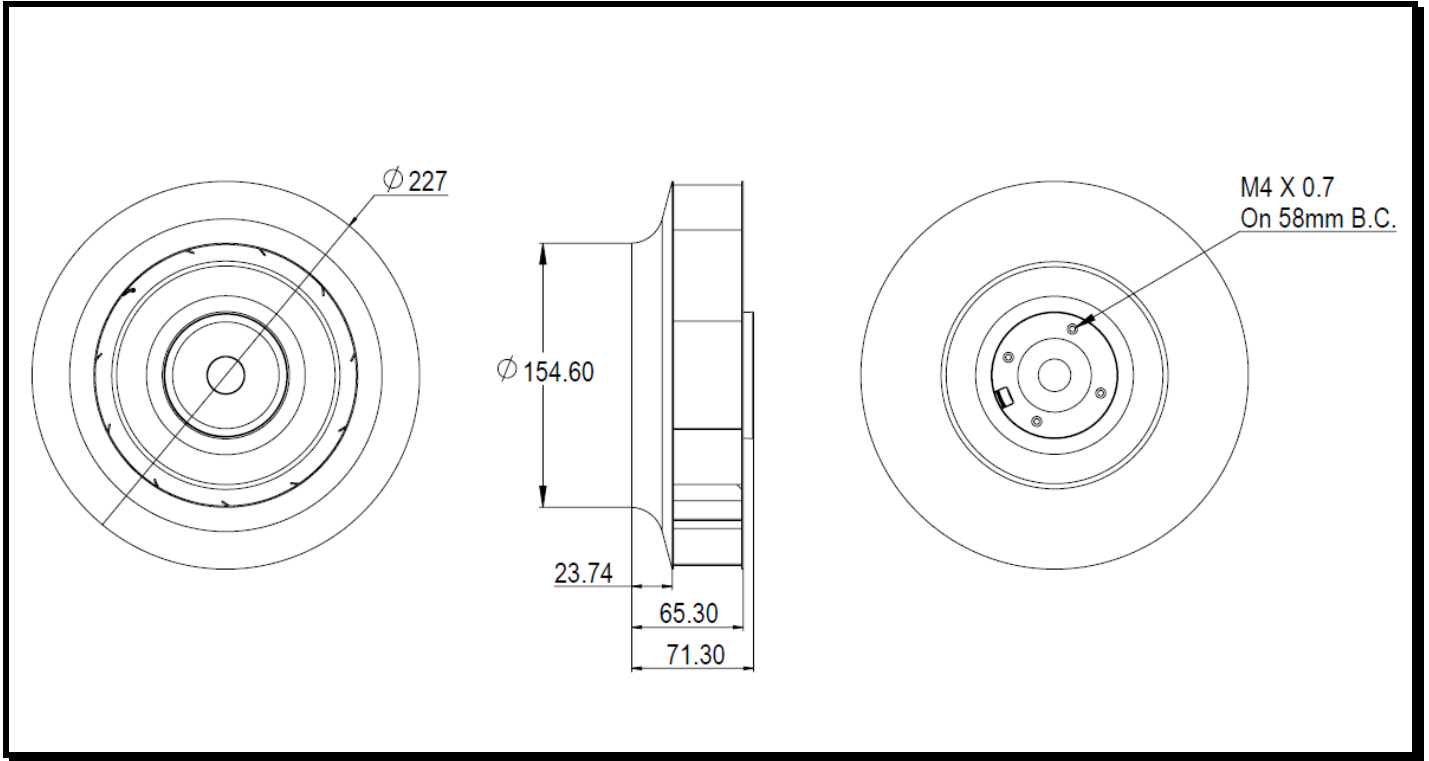


Figure 1

## C.) ADDITIONAL FEATURES

TACHOMETER OUTPUT:

Open Collector  
 Ic: 20 mA. Max  
 Vcc: 27VDC MAX  
 Pulses per Revolution: 2  
 Isolated: No

## D.) ENVIRONMENTAL

OPERATING TEMPERATURE:

-10°C to +70°C

STORAGE TEMPERATURE:

-40°C to +85° C, 65% ± 20% RH

HUMIDITY:

5% to 95% RH, non-condensing

VIBRATION:

3G's (20 to 200 Hz)



# Comair Rotron Specification Sheet

Specification Date: Nov28, 2017

Version: 01

## E.) PERFORMANCE CHARACTERISTICS

AIR FLOW:	750 CFM $\pm$ 10% (Measuring at zero static pressure)
STATIC PRESSURE:	3.22 Inches of H <sub>2</sub> O (Measuring at zero air flow)
ACOUSTIC LEVEL:	78.7 dBA (Freely Suspended at 1 meter per ANSI S12.11-1987)

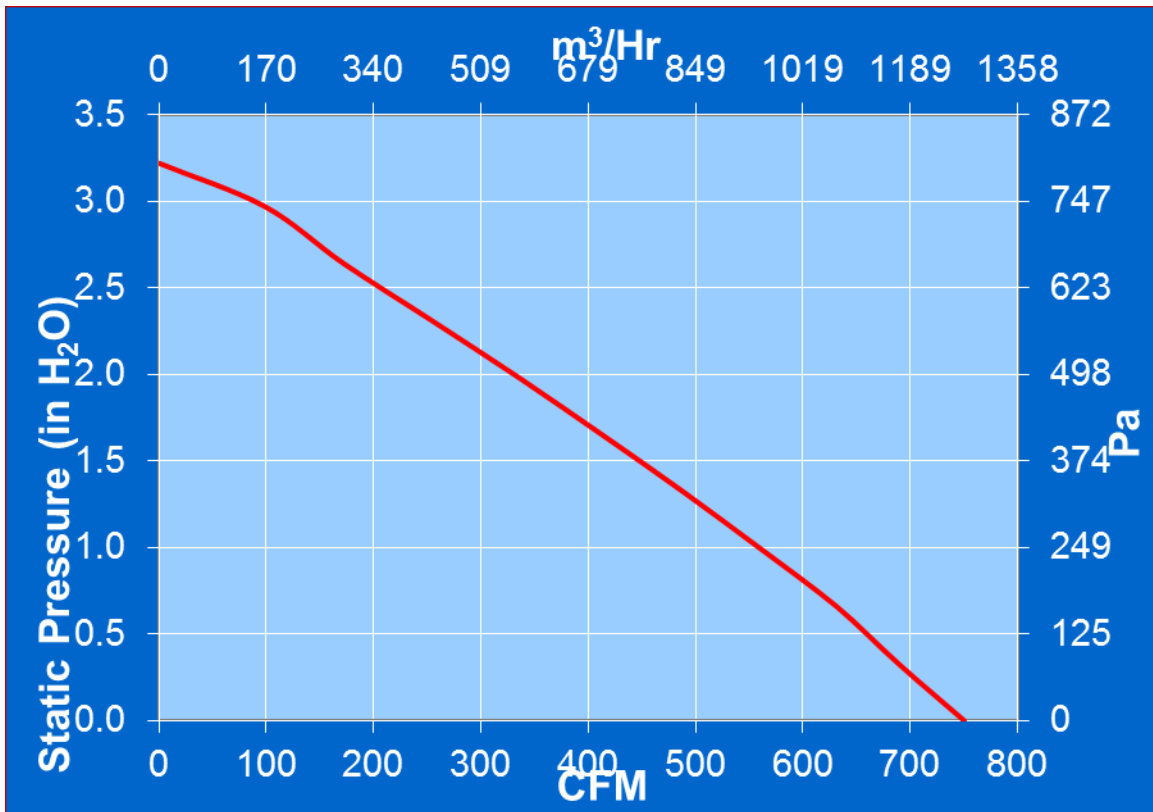


Figure 2

## F.) TERMINATION

LEADWIRES:	12" $\pm$ 1" Lead wires 18 AWG, UL 1061 Style (From the edge of the motor base to the tip of the lead wires. )
------------	---



## Comair Rotron Specification Sheet

Specification Date: Nov28, 2017

Version: 01

COLOR DESIGNATION:

Red = Power (+)  
Black = Return (-)  
Blue/White = Tachometer Output

### G) RELIABILITY

This fan is designed for continuous duty life of 48,000 Hours at 40°C, (L10)

### H.) SAFETY

UL, CUL, CE

### I.) Flammability

The blower including all components meets an UL94V-0 rating or better.

#### Notes:

All parameters will perhaps fluctuate with the speed tolerance by  $\pm 10\%$ .