



## Comair Rotron Specification Sheet

Specification Date: Nov28, 2017

Version: 01

COMAIR ROTRON PART NUMBER: 19039866A  
COMAIR ROTRON MODEL NUMBER: DD892824K1A

---

### A.) MOTOR:

|                               |  |
|-------------------------------|--|
| RATED VOLTAGE:                | 24 Vdc                                   |
| OPERATING VOLTAGE RANGE:      | 16 Vdc – 32 Vdc                          |
| LOW-START VOLTAGE:            | 16 Vdc                                   |
| MAX. RUNNING CURRENT:         | 4.2Amps                                  |
| LOCKED ROTOR CURRENT:         | 6.0 Amps                                 |
| RATED POWER:                  | 100.8 Watts                              |
| NOMINAL SPEED:                | 2800 RPM $\pm$ 200<br>(At Free Delivery) |
| START UP TIME:                | 8 Seconds Maximum                        |
| MOTOR TYPE:                   | Brushless DC                             |
| MOTOR PROTECTION:             | By Integrated Circuit, Fuse              |
| LOCKED ROTORT PROTECTION:     | Electronic                               |
| POLARITY PROTECTION:          | Yes                                      |
| AUTOMATIC RESTART CAPABILITY: | By Integrated Circuit                    |
| ROTATION:                     | Clockwise when viewed from Inlet         |

### B.) MECHANICAL

|               |   |
|---------------|---|
| DIMENSIONS:   | 227mm Dia. x 71mm<br>(8.94" Dia. x 2.80") <i>Figure 1</i> |
| WEIGHT:       | 1.60 Kg (3.53 Lbs.)                                       |
| BEARING TYPE: | Ball Bearing, Permanently Lubricated,<br>Shielded         |
| MOTOR BASE:   | Die Cast Aluminum   |
| PROPELLER:    | Aluminum, Painted   |



# Comair Rotron Specification Sheet

Specification Date: Nov28, 2017

Version: 01

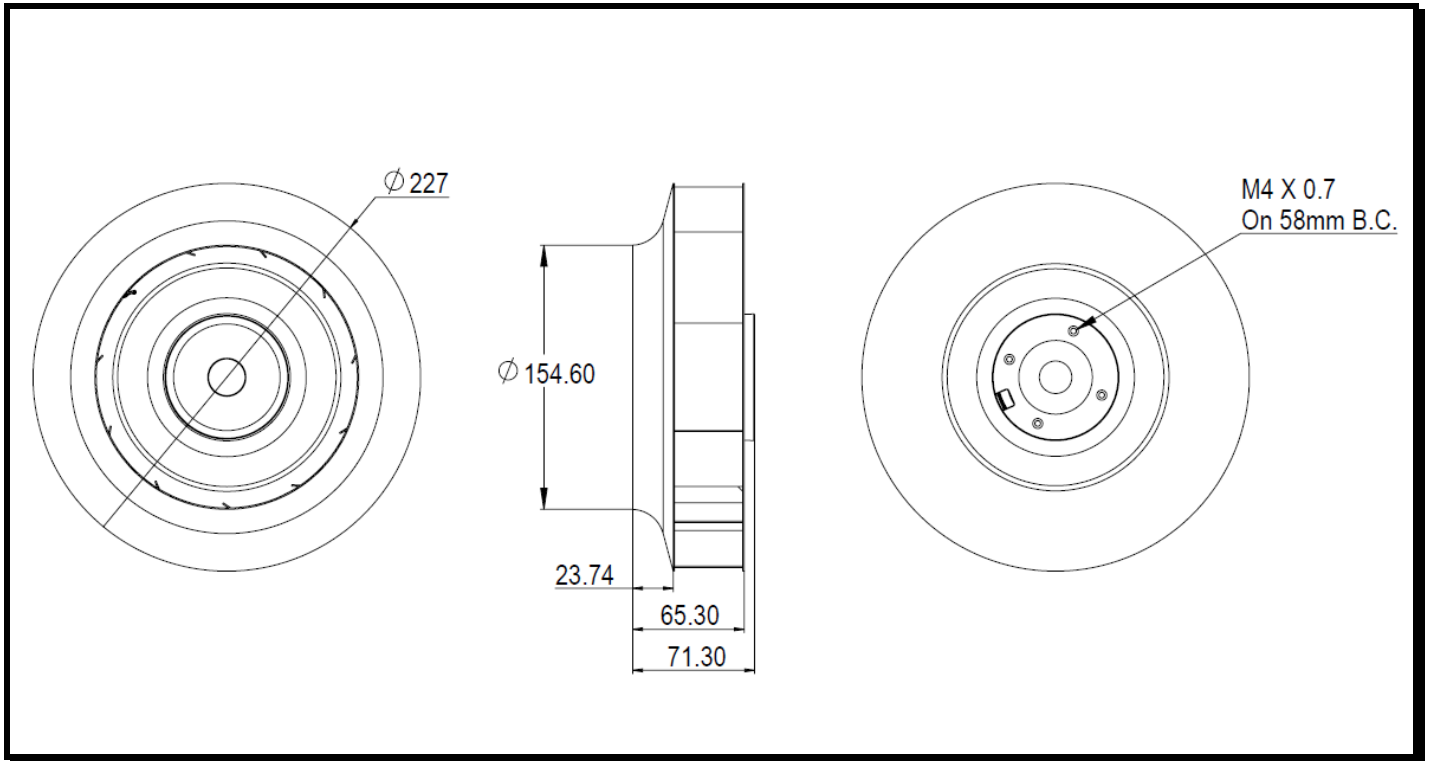


Figure 1

## C.) ADDITIONAL FEATURES

TACHOMETER OUTPUT:

5Vdc TTL Compatible Output  
 $I_c = 5\text{mA}$  typical.  
 2 Pulses per Revolution

## D.) ENVIRONMENTAL

OPERATING TEMPERATURE:

-10°C to +70°C

STORAGE TEMPERATURE:

-40°C to +85° C, 65% ± 20% RH

HUMIDITY:

5% to 95% RH, non-condensing

VIBRATION:

3G's (20 to 200 Hz)



## Comair Rotron Specification Sheet

Specification Date: Nov28, 2017

Version: 01

### E.) PERFORMANCE CHARACTERISTICS

AIR FLOW: 565 CFM  $\pm$  10%  
(Measuring at zero static pressure)

STATIC PRESSURE: 2.22 Inches of H<sub>2</sub>O  
(Measuring at zero air flow)

ACOUSTIC LEVEL: 75 dBA  
(Freely Suspended at 1 meter per  
ANSI S12.11-1987)

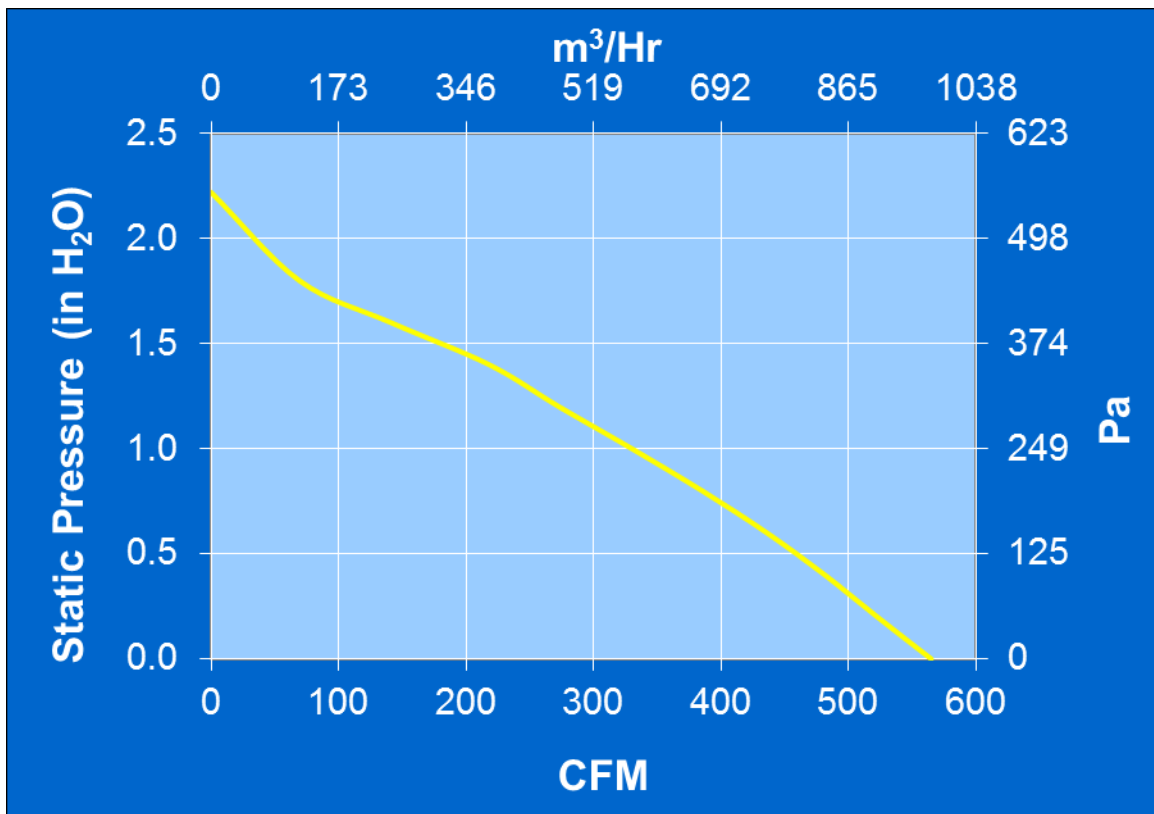


Figure 2

### F.) TERMINATION

LEADWIRES: 12"  $\pm$  1" Lead wires  
20 AWG, UL 1061 Style  
(From the edge of the motor base to the tip  
of the lead wires. )



## Comair Rotron Specification Sheet

Specification Date: Nov28, 2017

Version: 01

COLOR DESIGNATION:

Red = Power (+)  
Black = Return (-)  
Blue/White = Tachometer Output

### G) RELIABILITY

This fan is designed for continuous duty life of 48,000 Hours at 40°C, (L10)

### H.) SAFETY

UL, CUL, CE

### I.) Flammability

The blower including all components meets an UL94V-0 rating or better.

#### Notes:

All parameters will perhaps fluctuate with the speed tolerance by  $\pm 10\%$ .