

SPECIFICATIONS

(Rohs Compliant)

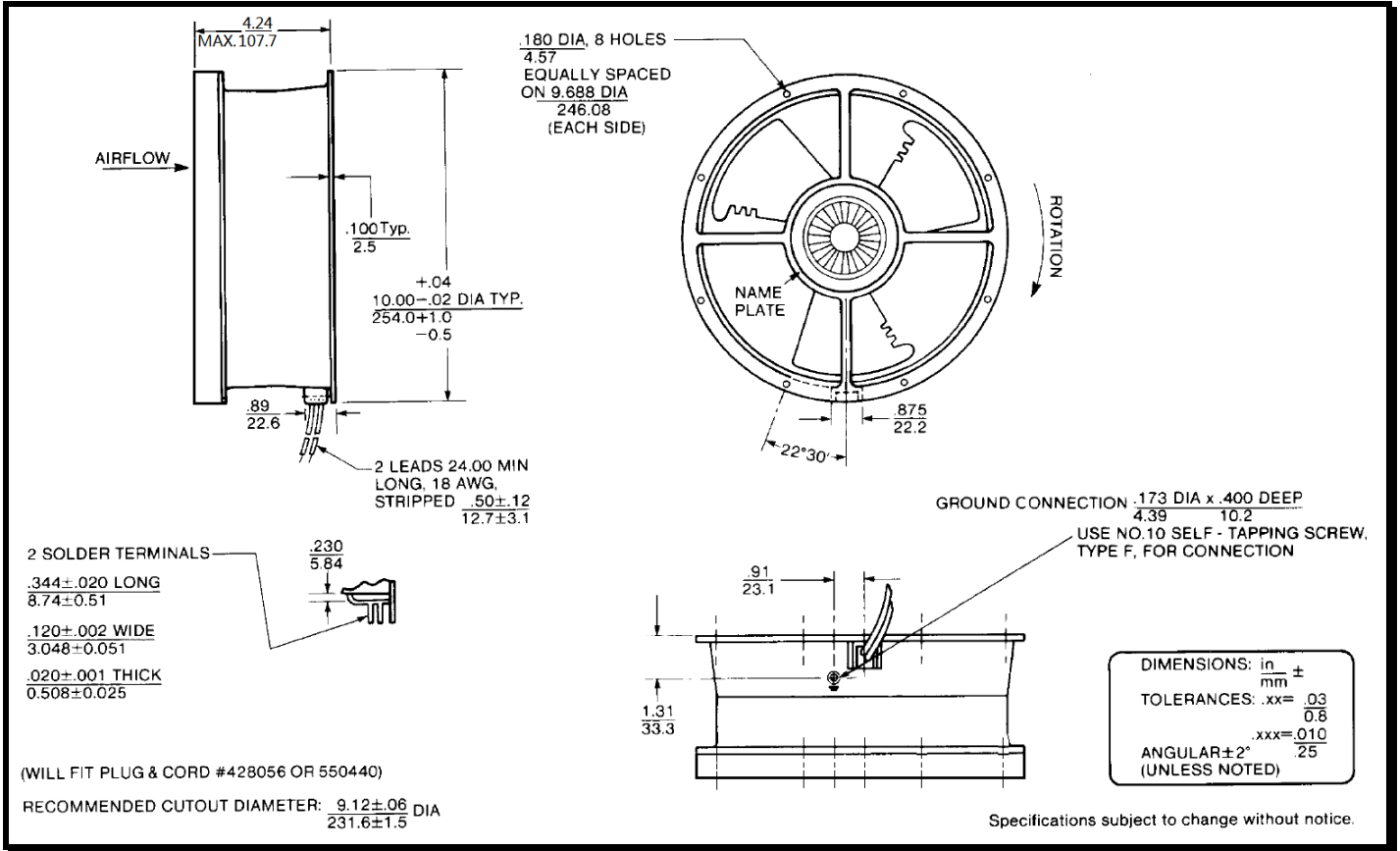


Model Number: CLE3L5

Part Number: 19039306A

SPEC Number: 26013946A03 Mar.18.2013

Mechanical Drawing:



Motor:

| | |
|-------------------------|-------------|
| Nominal Voltage | = 230 VAC |
| Frequency | = 60 Hz |
| Locked Rotor Current | = 1.25 amps |
| Nominal Running Current | = 0.61amps |
| Running Power | = 110 watts |
| Average Speed | = 2400 RPM |
| Bearings | = Ball |
| Air Flow | = 825 CFM |
| Acoustic | = 60.0 dBA |

Construction:

Venturi: Aluminum, Black.
 Propeller: Plastic, Black, UL 94V-0

Life Expectancy:

This fan is designed for continuous duty life of 54,000 hours at 40°C.

Additional Features:

Permanent Split Capacitor Motor
 Automatic Reset Thermal Protector
 Automatic Restart Capability
 Operating Temperature: -10°C to 70°C
 Storage Temperature: -40°C to 85°C

Termination:

24" Lead wires, 18 AWG, UL 1015

Agency Approvals:

UL