

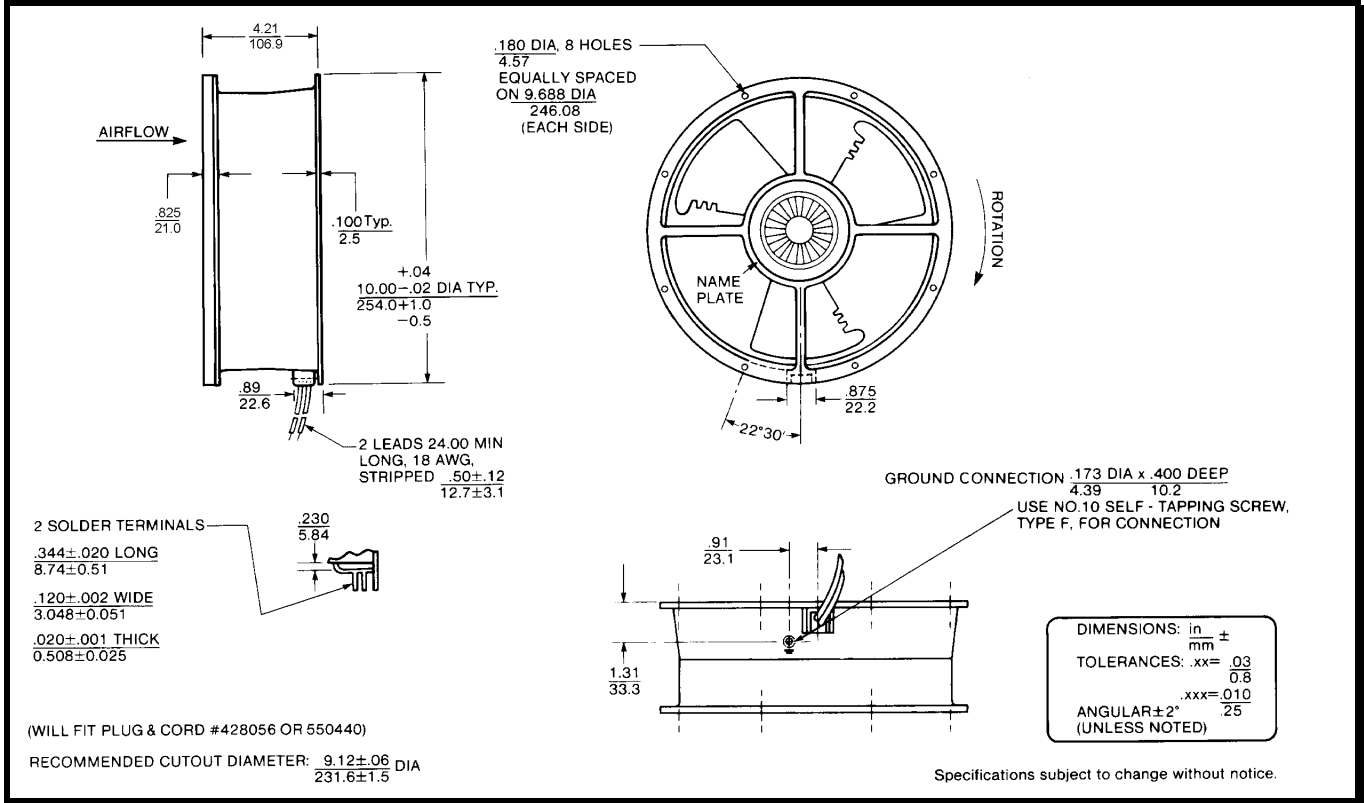
# SPECIFICATIONS



**Model Number:** CLE2T5  
**Part Number:** 19039202A

**Rev:** 01  
**Sep 29, 2017**

## Mechanical Drawing:



### Motor:

Nominal Voltage	= 115 VAC
Frequency	= 50/60 Hz
Nominal Running Current	= 1.11/1.30 amps
Max. Locked Rotor Current	= 2.50 amps
Running Power	= 120/150 watts
Average Speed	= 2650/2800 RPM
Bearings	= Ball
Max. Airflow	= 878/950 CFM
Max. Static Pressure	= 0.55/0.57 in H <sub>2</sub> O
Acoustic	= 62.1/63.3 dBA

### Construction:

Venturi: Aluminum, Black.  
 Propeller: Plastic, Black, UL 94V-0

### Life Expectancy:

This fan is designed for continuous duty life of 45,000 hours at 60°C.

### Additional Features:

Permanent Split Capacitor Motor  
 Automatic Reset Thermal Protector  
 Automatic Restart Capability  
 Operating Temperature: -10°C to 70°C  
 Storage Temperature: -40°C to 85°C

### Termination:

2 x 0.12" Terminals

### Agency Approvals:

UL, CUL, CE

**PQ Curve:**

