

# SPECIFICATIONS

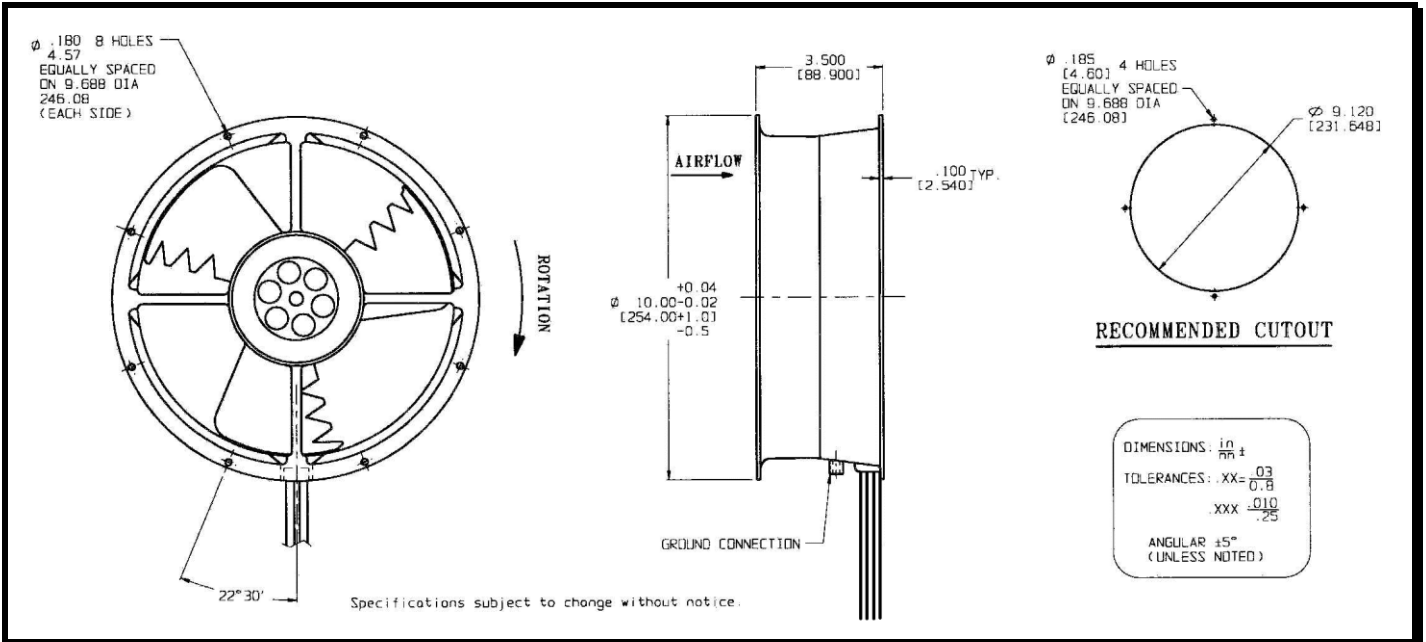
RoHS Compliant

**Model Number:** CDD24U3  
**Part Number:** 1700305A

**Version:** 00  
**Sep 22, 2017**



## Mechanical Drawing:



### Motor:

Nominal Voltage	= 24 vdc
Operating Voltage Range	= 12–28 vdc
Nominal Running Current	= 2.7 amps
Running Power	= 64.3 watts
Average Speed	= 2400 rpm
Bearings	= Ball
Max. Air Flow	= 797 cfm
Max. Static Pressure	= 0.87" H <sub>2</sub> O
Acoustic	= 57.3 dBA

### Construction:

Venturi: Die-Cast Aluminum, Black  
Propeller: Polycarbonate, Black, UL 94V-0

### Life Expectancy:

This fan is designed for continuous duty life of 60,000 hours at 40°C.

### Agency Approvals:

UL, CE

### Additional Features:

Brushless DC Motor  
Polarity Protected  
Locked Rotor Protection  
Automatic Restart Capability  
Operating Temperature: -10°C to 70°C  
Storage Temperature: -40°C to 85°C

### Termination:

12" Lead wires, 22 AWG, UL 1061

Red = Power (+)  
Black = Return (-)

**PQ Curve:**

