



AC Motors

Product Brochure --->



Comair Rotron, Inc. • 2675 Customhouse Court, Suite F • San Diego, CA 92154
Tel: (619) 661-6688 • Fax: (619) 661-6057 • www.comairrotron.com

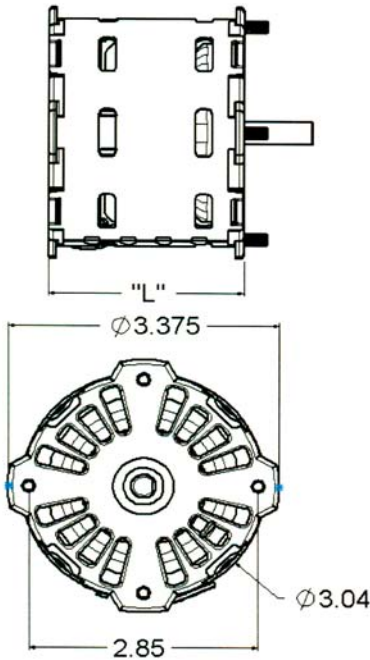


AC MOTORS

3.0" Diameter

Permanent-Split Capacitor Motor

With Capacitor Integrated into the Motor



FEATURES

- Shielded Ball Bearings
- Open or Enclosed Construction
- Automatic Thermal Protection
- Class B Insulation System
- UL, CSA Approved
- 115 / 230 VAC / 60 Hz
- Various Shaft Configurations
- Multiple Speed Options
- Reversible Option
- Mounting Bracket Options
- Feedback Tachometer Option
- ROHS Compliant



MAXIMUM 2-POLE PERFORMANCE AT 115 VOLTS / 60 Hz

Motor Length "L"	(Inches)	2.45	3.0	3.60	3.85	4.10	4.35	4.60
Stack Size	(Inches)	0.50	1.0	1.50	1.75	2.0	2.25	2.50
Maximum H.P.		1/20	1/15	1/10	1/8	1/7	1/6	1/5
Full-Load Speed	(RPM)	3250	3250	3250	3250	3250	3250	3250
Full-Load Torque	(oz-in)	16	28	38	45	54	65	85
Full-Load Current	(amps)	1.2	1.8	2.2	2.8	3.6	4.0	4.5

MAXIMUM 4-POLE PERFORMANCE AT 115 VOLTS / 60 Hz

Motor Length "L"	(Inches)	2.45	3.0	3.60	3.85	4.10	4.35	4.60
Stack Size	(Inches)	0.50	1.0	1.50	1.75	2.0	2.25	2.50
Maximum H.P.		1/25	1/20	1/15	1/12	1/10	1/8	1/6
Full-Load Speed	(RPM)	1530	1530	1530	1530	1530	1530	1530
Full-Load Torque	(oz-in)	22	32	44	60	72	84	95
Full-Load Current	(amps)	0.8	1.2	1.7	2.1	2.4	3.4	4.0

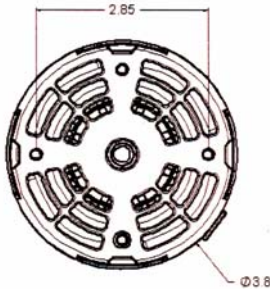
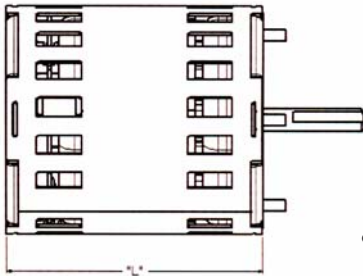
AC Motors

AC MOTORS

3.8" Diameter

Permanent-Split Capacitor Motor

With Capacitor Integrated into the Motor



FEATURES

- Shielded Ball Bearings
- Open or Enclosed Construction
- Automatic Thermal Protection
- Class B Insulation System
- UL, CSA Approved
- 115 / 230 VAC / 60 Hz
- Various Shaft Configurations
- Multiple Speed Options
- Reversible Option
- Mounting Bracket Options
- Feedback Tachometer Option
- ROHS Compliant



MAXIMUM 2-POLE PERFORMANCE AT 115 VOLTS / 60 Hz

Motor Length "L"	(Inches)	4.25	4.25	4.75	4.75	4.75	5.00
Stack Size	(Inches)	0.50	1.00	1.50	1.75	2.0	2.50
Maximum H.P.		1/20	1/15	1/10	1/8	1/6	1/5
Full-Load Speed	(RPM)	3250	3250	3250	3250	3250	3250
Full-Load Torque	(oz-in)	52	85	115	135	140	145
Full-Load Current	(amps)	1.60	2.20	3.01	4.00	4.30	4.60

MAXIMUM 4-POLE PERFORMANCE AT 115 VOLTS / 60 Hz

Motor Length "L"	(Inches)	4.25	4.25	4.75	4.75	4.75	5.0
Stack Size	(Inches)	0.50	1.0	1.50	1.75	2.0	2.50
Maximum H.P.		1/25	1/20	1/15	1/10	1/8	1/6
Full-Load Speed	(RPM)	1530	1530	1530	1530	1530	1530
Full-Load Torque	(oz-in)	60	85	110	125	135	140
Full-Load Current	(amps)	1.15	1.73	2.59	2.77	3.6	4.40

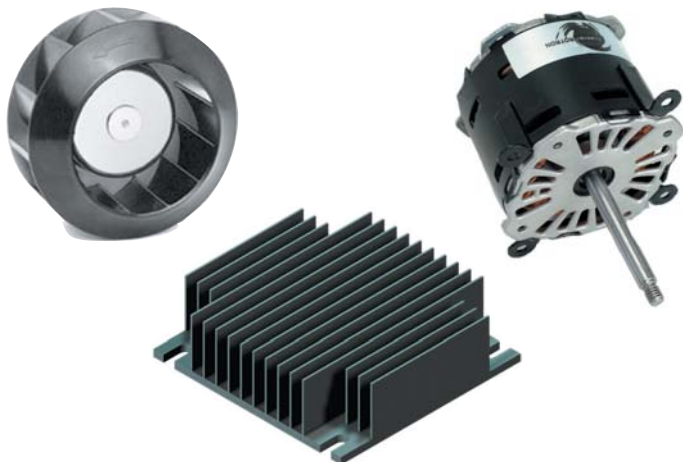
For Motors, Fans, Blowers, Heat sinks or Engineered solutions entirely customized to your needs, look no further than Comair Rotron Inc.



Comair Rotron Inc. 2675 Customhouse Court • San Diego • CA 92154 • California, USA
Tel: (619) 661 6688 • Fax: (619) 661 1757

Comair Rotron Europe Ltd. Unit 9 The IO Centre Nash Road Park Farm North Redditch Worcestershire • B98 7AS, UK
Tel: +44 (0) 1527 520 525 • Fax: +44 (0) 1527 520 565 • e-mail: sales@comairrotron.com

sales@comairrotron.com



www.comairrotron.com

- Fans • Motors • Blowers
- Custom Engineered Solutions

www.thermaflo.com

- Heatsinks