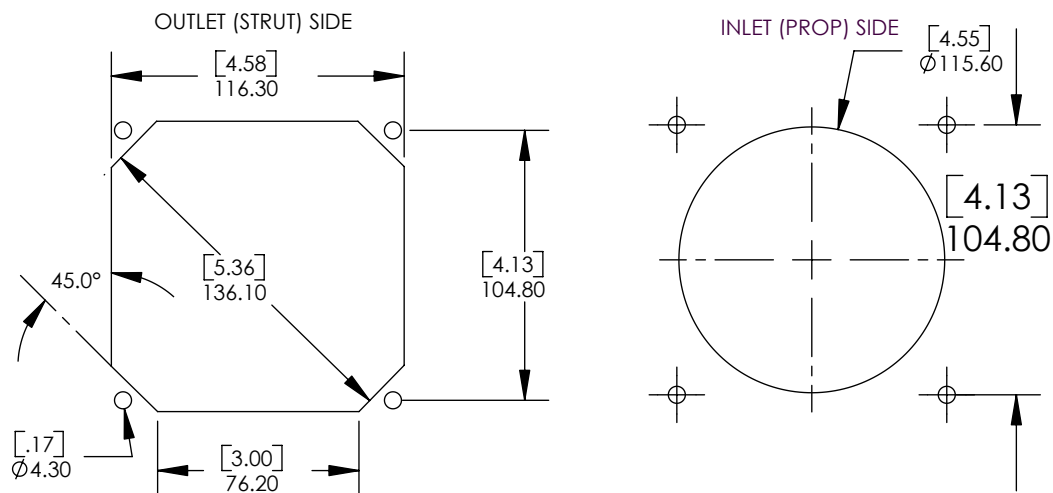


### RECOMMENDED CUTOUTS



CONTACT INFO:		WWW.COMAIRROTRON.COM		SALES@COMAIRROTRON.COM	
TOLERANCE UNLESS OTHERWISE SPECIFIED		AMERICAN PROJECTION		(619) 661 - 6688	
2 PL. DEC. $\pm .03$ [.8]		3 PL. DEC. $\pm .010$ [.25]		3D MODEL FOUND AT..	
ANGULAR $\pm 30'$					

**WHISPER XL AC**