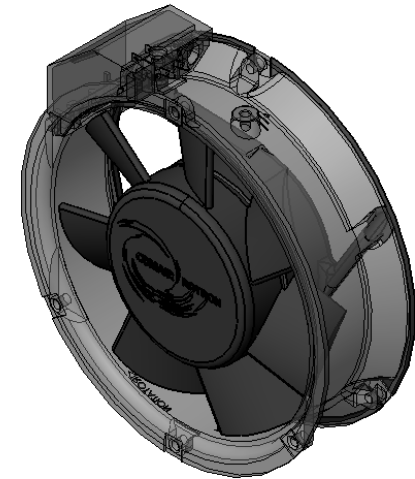
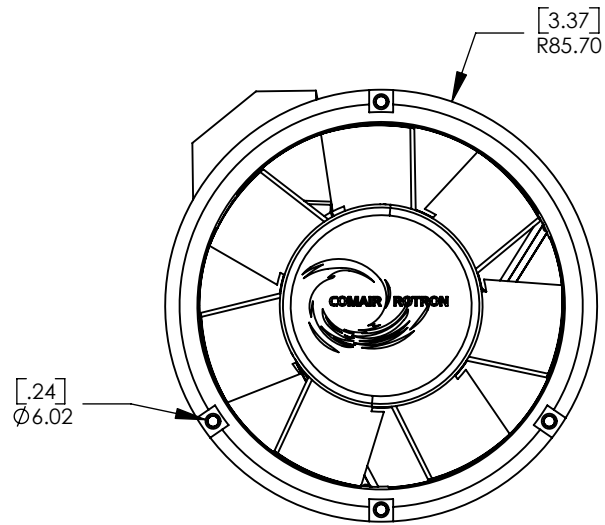
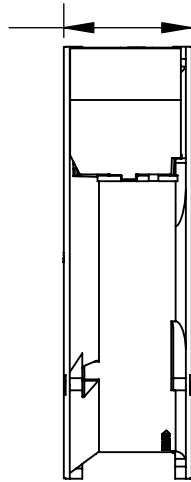


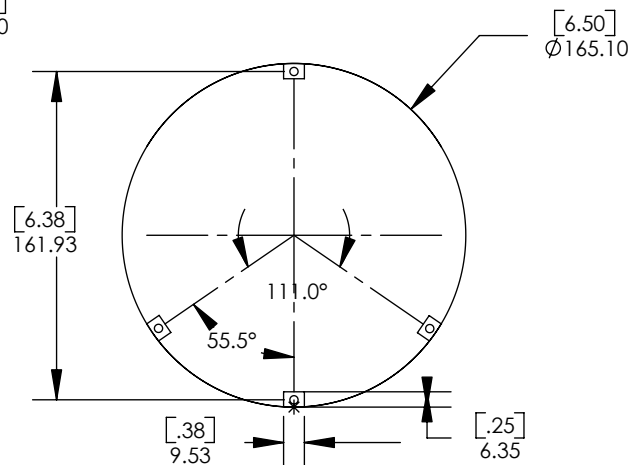
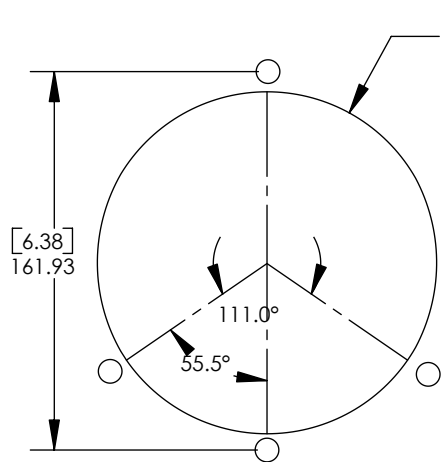
$[2.00^{+.03}_{-.01}]$   
 $50.80^{+.80}_{-.30}$



RECOMMENDED CUTOUTS

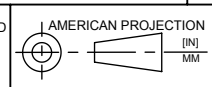
INLET (PROP) SIDE

EXHAUST (SPIDER) SIDE



CONTACT INFO:  
[WWW.COMAIRROTRON.COM](http://WWW.COMAIRROTRON.COM) | [SALES@COMAIRROTRON.COM](mailto:SALES@COMAIRROTRON.COM)

TOLERANCE UNLESS OTHERWISE SPECIFIED  
 2 PL. DEC. ± .03 [ .8]  
 3 PL. DEC. ± .010 [ .25]  
 ANGULAR ± 30'



(619) 661 - 6688  
 3D MODEL FOUND AT..

**PATRIOT DC**