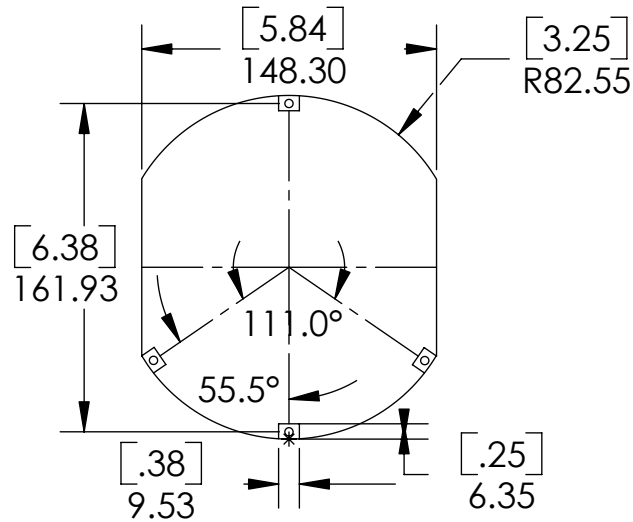
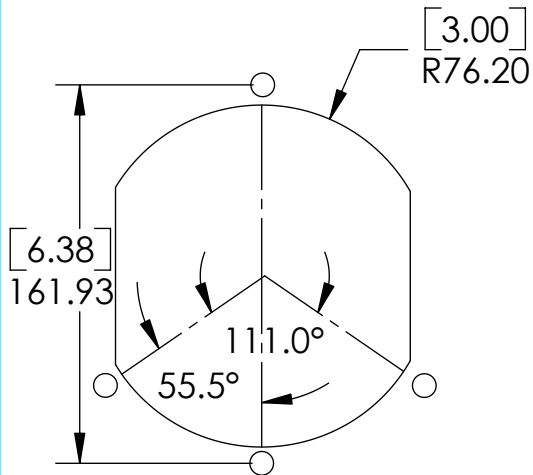


RECOMMENDED CUTOUTS

INLET (PROP) SIDE

EXHAUST (SPIDER) SIDE



CONTACT INFO:		WWW.COMAIRROTRON.COM		SALES@COMAIRROTRON.COM	
TOLERANCE UNLESS OTHERWISE SPECIFIED		AMERICAN PROJECTION		(619) 661 - 6688	
2 PL. DEC. ± .03 [.8]		[IN]		3D MODEL FOUND AT..	
3 PL. DEC. ± .010 [.25]		MM			
ANGULAR ± 30'					

MALTESE AC