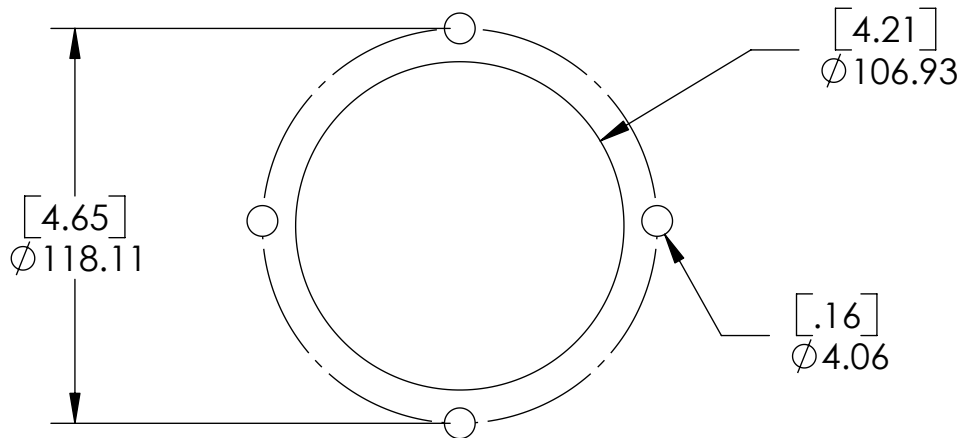


RECOMENDED CUTOUT



	ALL MATERIAL MUST BE RoHS COMPLIANT	
	CONTACT INFO: <a href="http://WWW.COMAIRROTRON.COM">WWW.COMAIRROTRON.COM</a>	
<small>TOLERANCE UNLESS OTHERWISE SPECIFIED          2 PL. DEC. ± .03 [.8]          3 PL. DEC. ± .010 [.25]          ANGULAR ± 30°          SURFACE √32</small>	SALES@COMAIRROTRON.COM	(619) 661 - 6688
	3D MODEL FOUND AT..	PART WEBPAGE
<small>AMERICAN PROJECTION</small> 	<b>5.25" DIPLOMAT AC</b>	